

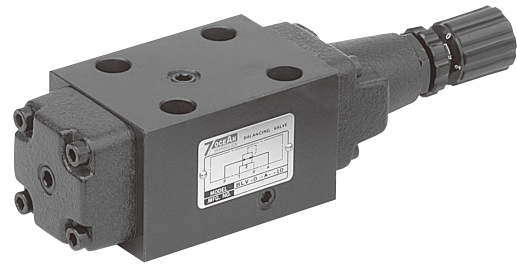
BALANCE VALVE

FEATURES :

- The valve provides both pressure reducing and counter-balancing functions.
- 2-in-1 operating allows a simpler circuit configuration.
- Single knob for easy pressure adjustment.
- Compact and lightweight valve that can be mounted using the same methods as a DG03, 05 size solenoid valve



Model: BLV-02-A-1-Y-10



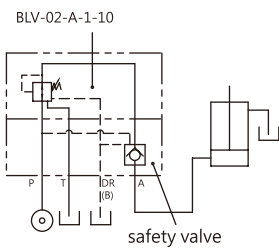
Model: BLV-03-A-1-Y-10

SPECIFICATION :

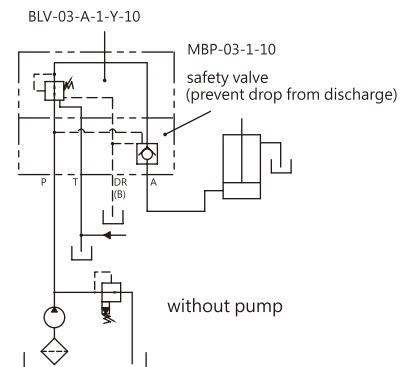
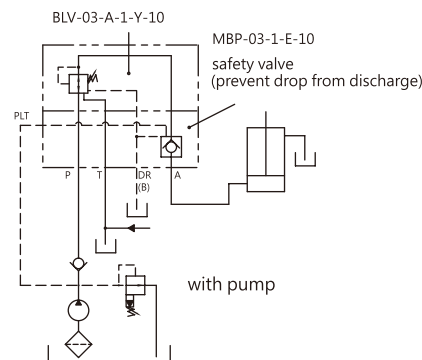
Model	BLV-02	BLV-03
Maximum Flow Rate	30 L/min (8 GPM)	30 L/min (13.3 GPM)
Maximum Operating Pressure	210 Bar (3000 PSI)	210 Bar (3000 PSI)
Pressure Adj. Range	1: 8~70 Bar 2: 35~140 Bar	
Ambient Temperature Range	-20°C ~ +50°C	
Hydraulic Fluid Temperature	-20°C ~ +70°C	
Viscosity Range	15~400 mm ² /S	
Hydraulic Oil	ISO VG32, 46, 68	
Fluid Cleanliness	25 μm	
Mounting Pattern	ISO 4401-AB-03-4-A	ISO 4401-AC-05-4-A
Screws	M5 x 45L (4 pcs)	M8 x 30L (4 pcs)
Approx. Weight (Valve with hydraulic operation)	1.5 kg	3.5 kg

HYDRAULIC CONFIGURATION :

■ BLV-02



■ BLV-03



BALANCE VALVE

ORDERING CODE :

BLV - 02 - A - 1 - * - 10
 1 2 3 4 5 6

1 BALANCE VALVE

2 NOMINAL VALVE SIZE

Mounting Pattern

02: NG 6 / ISO 4401/CETOP-3 (NFPA-D03/ DIN 24340)

03: NG 10 / ISO 4401/CETOP-5 (NFPA-D05/ DIN 24340)

3 CONFIGURATION

A: A Port

5 PRESSURE ADJ. RANG

1: 8~70 Bar

2: 35~140 Bar

6 DRAIN (03 TYPE ONLY)

None: Internal Drain

Y: External Drain

7 DESIGN NUMBER

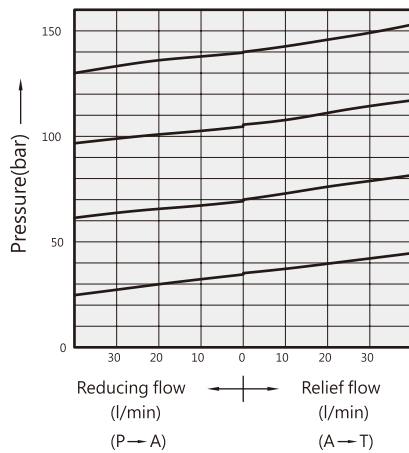
10: With handle

20: Without handle

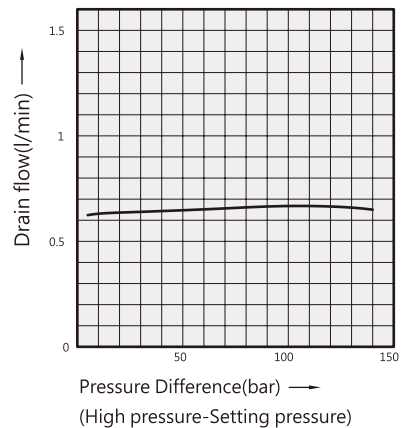
PERFORMANCE CURVES:

BLV-02

Pressure-Flow Characteristics

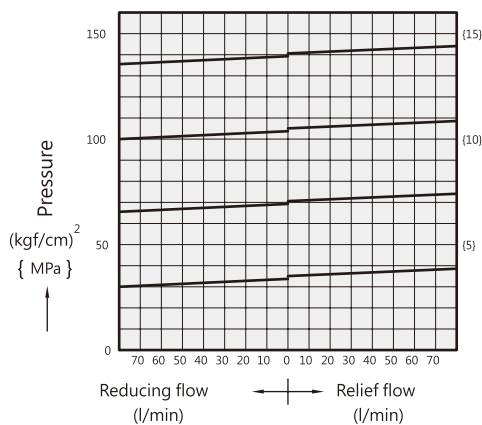


Pressure-Drain Flow Characteristics

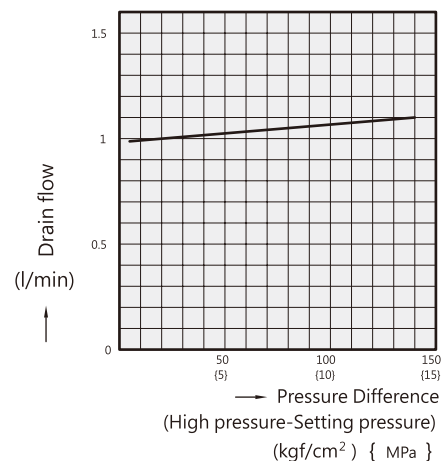


BLV-03

Pressure-Flow Characteristics



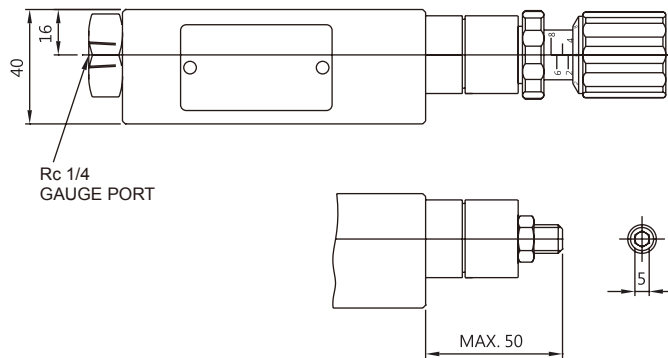
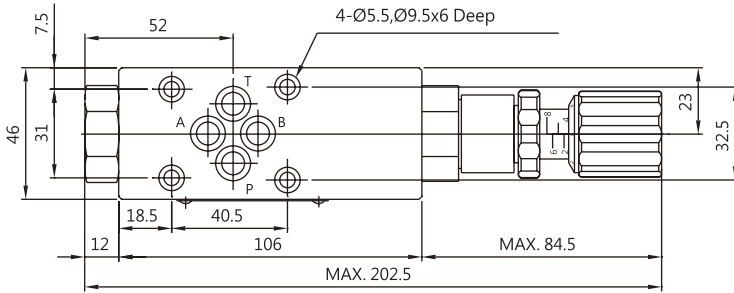
Pressure-Drain Flow Characteristics



BALANCE VALVE

DIMENSIONS :

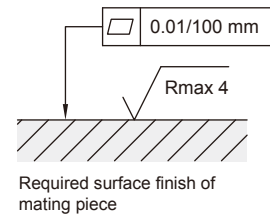
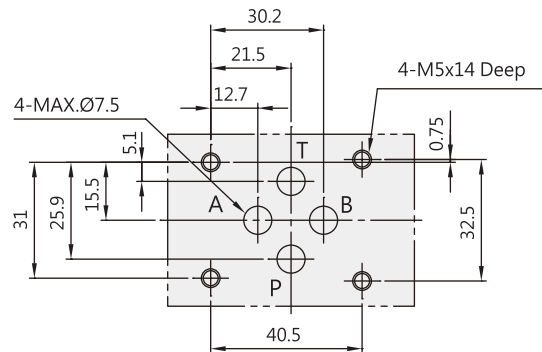
■ BLV-02-A-*-10



INSTALLATION DIMENSIONS:

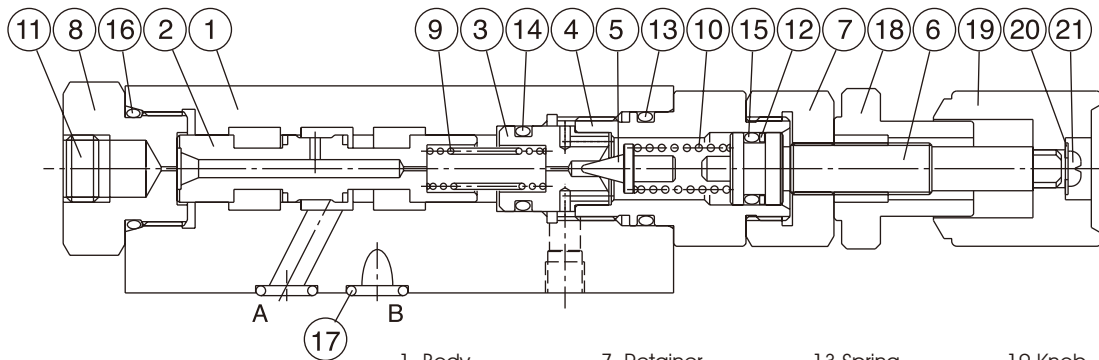
(Mounting Pattern ISO 4401-AB-03-4-A)

■ BLV-02



CROSS SECTION DRAWING :

■ BLV-02-A-*-10

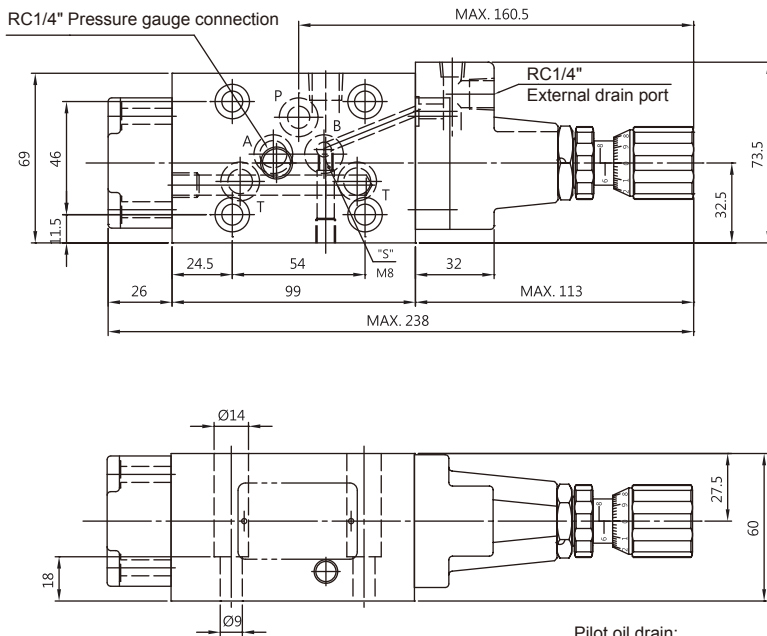


- | | | | |
|-----------|------------------|---------------|------------------|
| 1. Body | 7. Retainer | 13. Spring | 19. Knob |
| 2. Spool | 8. Bushing | 14. Orifice | 20. Back-up ring |
| 3. Seat | 9. Spring | 15. O-ring | 21. Screw |
| 4. Choke | 10. Spring | 16. O-ring | |
| 5. Poppet | 11. Plug | 17. O-ring | |
| 6. Screw | 12. Back-up ring | 18. Knob Unit | |

BALANCE VALVE

DIMENSIONS :

■ BLV-03-A-*-10

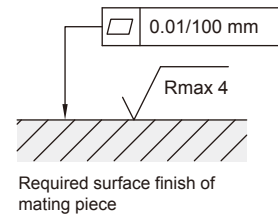
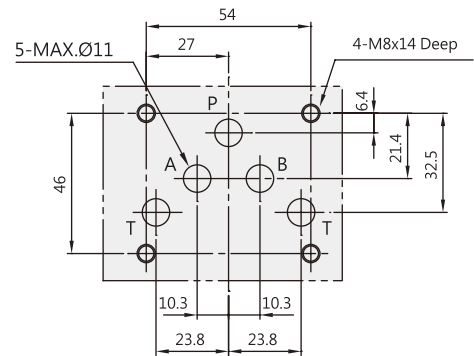


Pilot oil drain:
External: "S" plugged
Internal: "S" open

INSTALLATION DIMENSIONS:

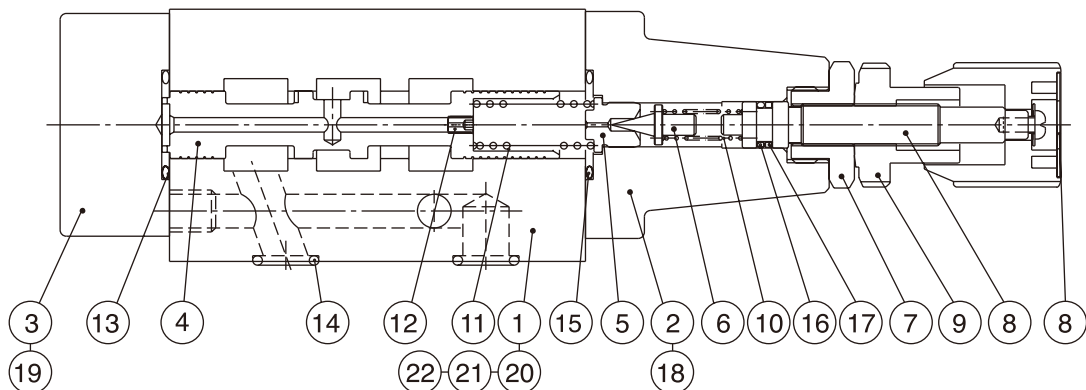
(Mounting Pattern ISO 4401-AC-05-4-A)

■ BLV-03



CROSS SECTION DRAWING :

■ BLV-03-A-*-10



- | | | | |
|-----------|--------------|-----------------|--------------------|
| 1. Body | 7. Retainer | 13.O-ring | 19.Screw |
| 2. Cover | 8. Screw | 14.O-ring | 20.Screw |
| 3. Cover | 9. Knob Unit | 15.O-ring | 21.Nameplate |
| 4. Spool | 10.Spring | 16.O-ring | 22.Rivet |
| 5. Seat | 11.Spring | 17.Back-up ring | 23.Indicator Plate |
| 6. Poppet | 12.Orifice | 18.Screw | |