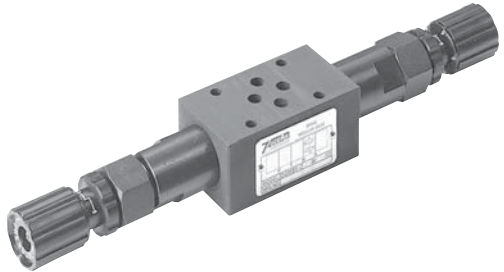


PRESSURE BRAKE VALVE

SANDWICH PLATE DESIGN MBV02 SIZE 6

FEATURES :

- Highest performance in NG 6
- Direct operated pressure relief valves
- Sandwich plate design
- 2 pressure adjusting ranges.
- 3 optional effective directions of flow
- With one or two pressure relief cartridges
- Connections to DIN, ISO and CETOP



Model: MBV-02-W-1-10

SPECIFICATION :

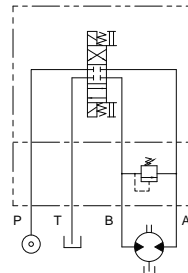
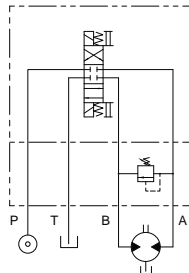
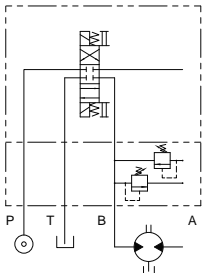
Maximum Flow Rate		20 l/Min (5.3 GPM)
Maximum working pressure		320 Bar (4570 PSI)
Pressure Adjusting Range		1: 8~70 Bar
		3: 35~210 Bar
Ambient Temperature Range		-20 °C ~ +50 °C
Hydraulic Fluid Temperature Range		-20 °C ~ +70 °C
Viscosity Range		15~400 mm ² /S
Hydraulic Oil		ISO VG32, 46, 68
Fluid Cleanliness		25 μm
Mounting Pattern		ISO 4401-AB-03-4-A
Weight	W Type	1.5 Kg
	A Type	1.4 Kg
	B Type	1.4 Kg

HYDRAULIC CONFIGURATION:

■ MBV-02-W-*-10

■ MBV-02-A-*-10

■ MBV-02-B-*-10



PRESSURE BRAKE VALVE
SANDWICH PLATE DESIGN MBV02 SIZE 6

ORDERING CODE :

M BV - 02 - W - 1 - 10 - **
1 2 3 4 5 6 7

1 SANDWICH PLATE DESIGN

2 PRESSURE BRAKE VALVE

3 NOMINAL VALVE SIZE:

NG 6, CETOP 3 and ISO 4401-03 (NFPA-D03/DIN 24340)

4 CONFIGURATION

W: Double; acting on ports A and B, with the relieved pressure cross-discharged

A: Single; acting on port A, discharge to port B

B: Single; acting on port B, discharge to port A

5 SPRING CRACKING PRESSURE

1: 8~70 Bar

3: 35~210 Bar

6 DESIGN NUMBER

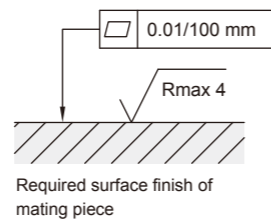
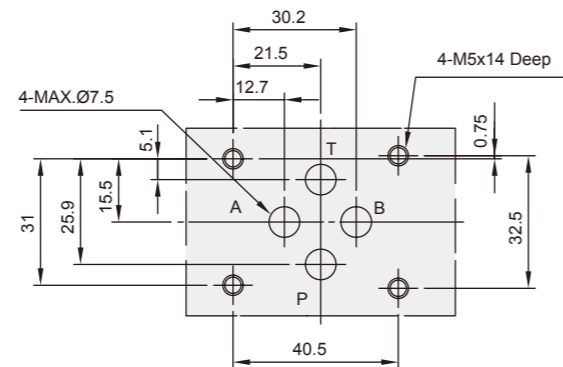
10: With handle

20: Without handle

7 OPTIONAL INQUIRY

INSTALLATION DIMENSIONS:

(Machined valve mounting face with position of ports)

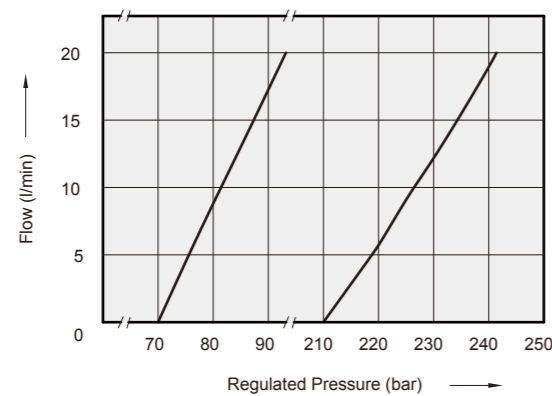


PERFORMANCE CURVES:

Viscosity of Hydraulic Fluid: 32 mm²/s

Regulated Pressure Versus Flow Diagram

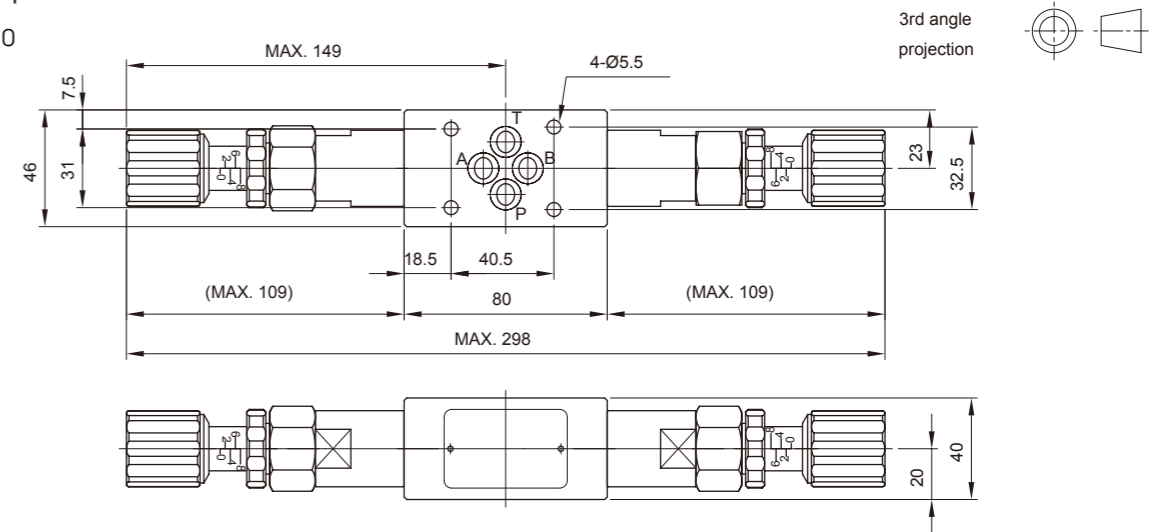
■ MBV-02-*-*-10



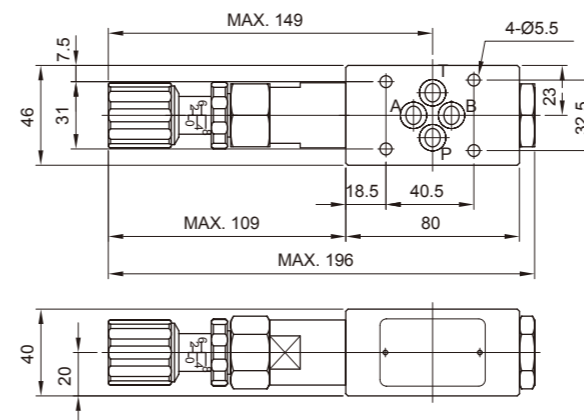
PRESSURE BRAKE VALVE
SANDWICH PLATE DESIGN MBV02 SIZE 6

DIMENSIONS :

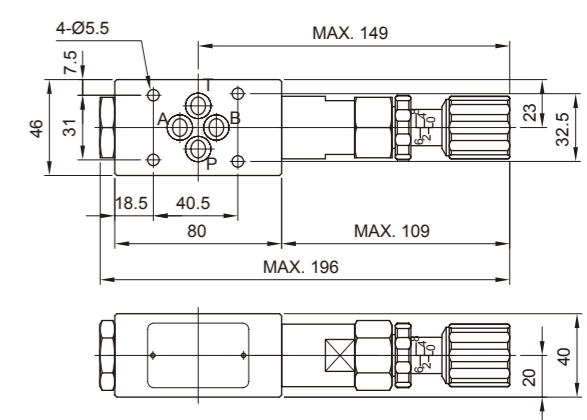
■ MBV-02-W-*-10



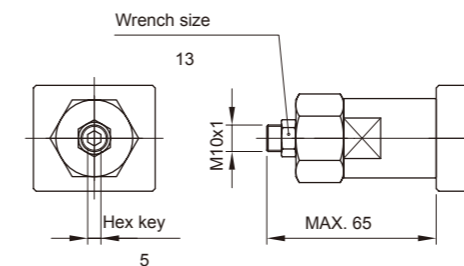
■ MBV-02-A-*-10



■ MBV-02-B-*-10

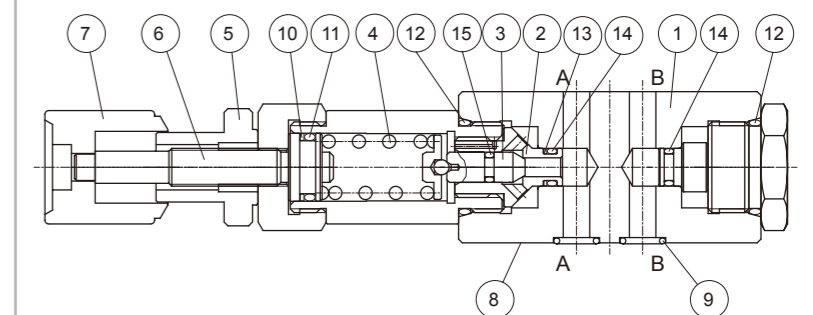


■ MBV-02-*-*-20



CROSS SECTION DRAWING :

■ MBV-02-A-*-10



- | | | |
|-----------------------|------------------------------|-------------------|
| 1. Body | 8. Connections to DIN 24340 | 11. O-ring 1A-P14 |
| 2. Seat | from A6; valve fixing screws | 12. O-ring 1B-P22 |
| 3. Poppet | M5x85 DIN 912-10.9 | 13. O-ring BU-P7 |
| 4. Adjustment sprin | tightening torque 8~9 Nm | 14. O-ring 1A-P7 |
| 5. Locking nut | 9. O-ring 1B-P9 | 15. O-ring 1A-P5 |
| 6. Setting screw | for ports A,B,P and T | |
| 7. Adjustment element | 10. O-ring BU-P14 | |