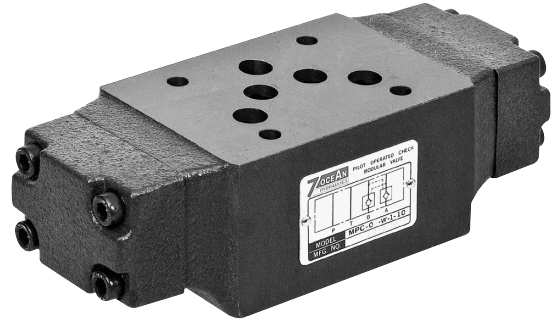


PILOT OPERATED CHECK VALVE

SANDWICH PLATE DESIGN MPC03 SIZE 10

FEATURES :

- Highest performance in NG 10
- Sandwich plate design
- Pilot operated check valve
- For leak free sealing of one or two actuator port
- Connections to DIN, ISO and CETOP



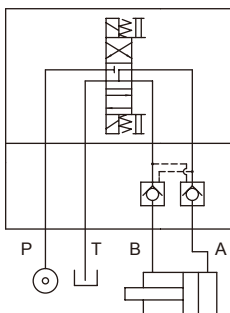
Model: MPC-03-W-1-10

SPECIFICATION :

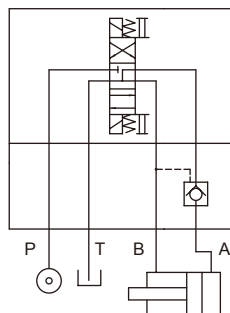
| | | |
|-----------------------------------|-------------------|---------------------------|
| Maximum Flow Rate | | 100 l/Min (26.5 GPM) |
| Maximum working pressure | | 320 Bar (4570 PSI) |
| Spring cracking pressure | | 1: 2 Bar (29 PSI) |
| | | 2: 5 Bar (71 PSI) |
| Area ratio | Pilot piston | 1 |
| | Check valve seat | 0.33 |
| | Needle valve seat | - |
| Ambient Temperature Range | | -20°C ~ +50°C |
| Hydraulic Fluid Temperature Range | | -20°C ~ +70°C |
| Viscosity Range | | 15~400 mm ² /S |
| Hydraulic Oil | | ISO VG32, 46, 68 |
| Fluid Cleanliness | | 25 μm |
| Mounting Pattern | | ISO 4401-AC-05-4-A |
| Weight | W Type | 3.6 kg |
| | A Type | 3.6 kg |
| | B Type | 3.6 kg |

HYDRAULIC CONFIGURATION:

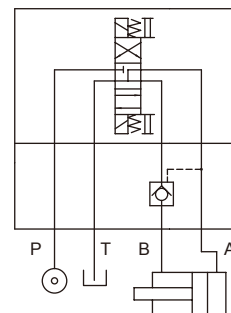
■ MPC-03-W-*-10



■ MPC-03-A-*-10



■ MPC-03-B-*-10



PILOT OPERATED CHECK VALVE SANDWICH PLATE DESIGN MPC03 SIZE 10

ORDERING CODE :

M PC - 03 - W - 1 - 10 - **
1 2 3 4 5 6 7

1 SANDWICH PLATE DESIGN

2 PILOT OPERATED CHECK VALVE

3 NOMINAL VALVE SIZE:

NG 10, CETOP 5 and ISO 4401-05 (NFPA-D05/DIN 24340)

4 CONFIGURATION

W: double; acting on ports A & B

A: single; acting on port A

B: single; acting on port B

5 SPRING CRACKING PRESSUE

1: 2 Bar

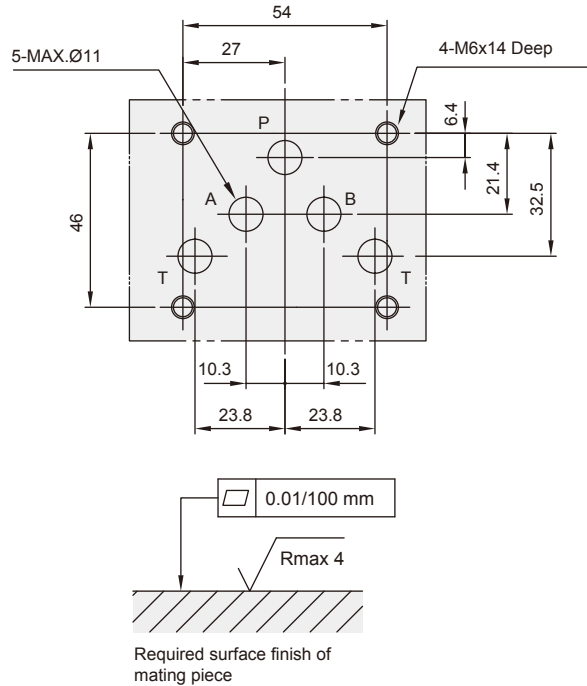
2: 5 Bar

6 DESIGN NUMBER

7 OPTIONAL INQUIRY

INSTALLATION DIMENSIONS:

(Machined valve mounting face with position of ports)



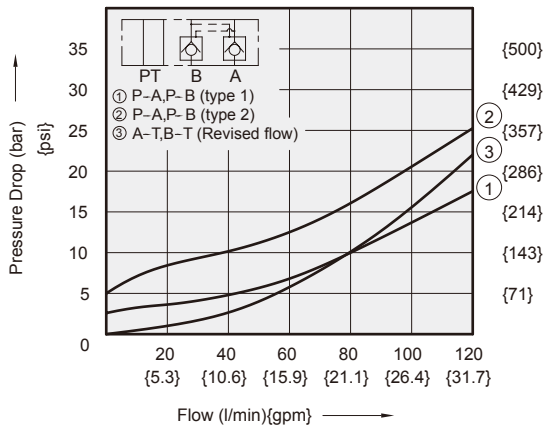
B MPC03 SIZE 10

PERFORMANCE CURVES:

Viscosity of Hydraulic Fluid: 32 mm²/s

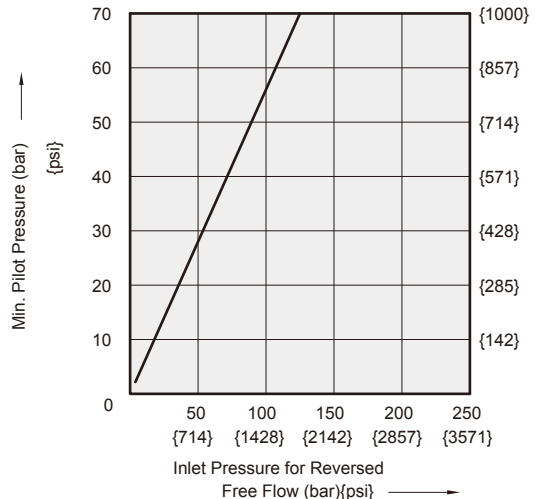
Pressure Drop Characteristic

■ MPC-03-W-*-10



Min. Pilot Pressure Characteristic

■ MPC-03-W-*-10



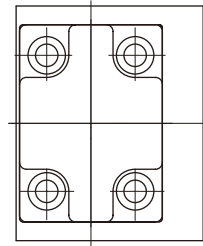
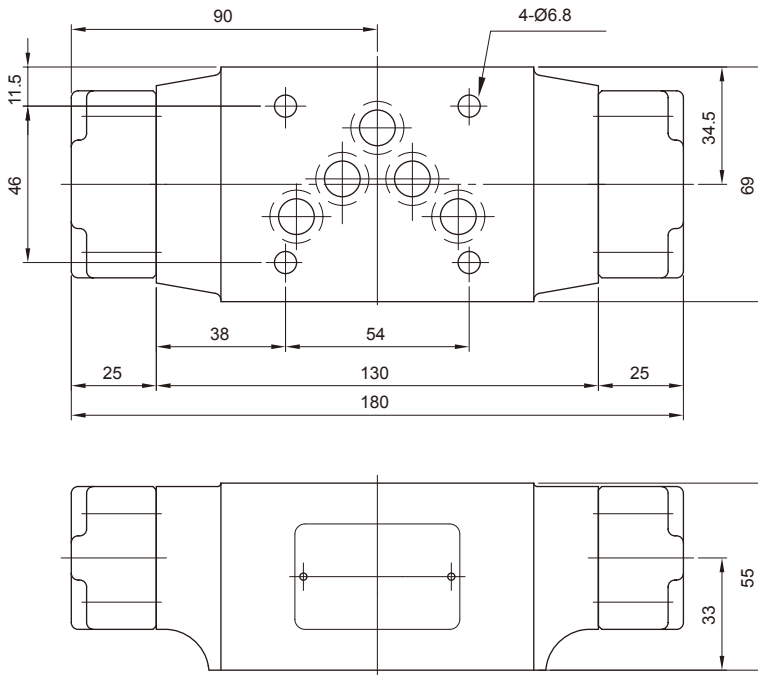
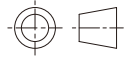
PILOT OPERATED CHECK VALVE

SANDWICH PLATE DESIGN MPC03 SIZE 10

DIMENSIONS :

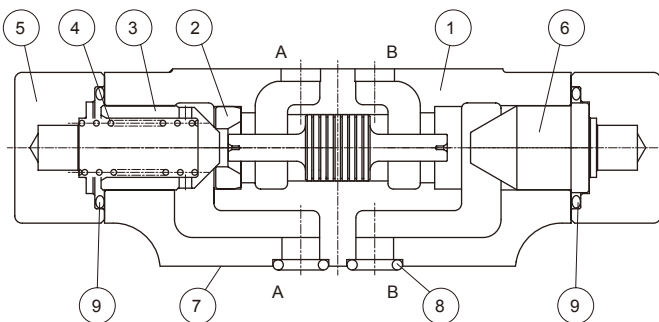
- MPC-03-W-*-10
- MPC-03-A-*-10
- MPC-03-B-*-10

3rd angle
projection



CROSS SECTION DRAWING :

- MPC-03-A-*-10



- 1. Body
- 2. Seat
- 3. Poppet
- 4. Spring
- 5. Cover
- 6. Bushing
- 7. Connections to DIN 24340 from A10;
valve fixing screws M6x90 DIN 912-10.9,
tightening torque 12~15 Nm
- 8. O-ring AS586-014(Hs90)
for ports A,B,P and T
- 9. O-ring 1B-P29