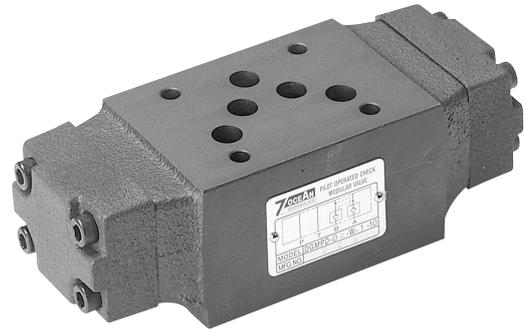


PILOT OPERATED CHECK VALVE WITH DECOMPRESSION SANDWICH PLATE DESIGN MPD03 SIZE 10

FEATURES :

- Highest performance in NG 10
- Sandwich plate design
- Pilot operated check valve with decompression
- For leak free sealing of one or two actuator port
- Connections to DIN, ISO and CETOP



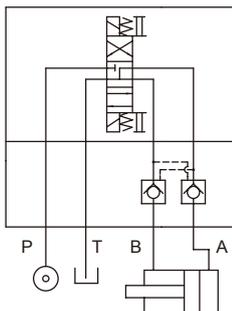
Model: MPD-03-W-1-10

SPECIFICATION :

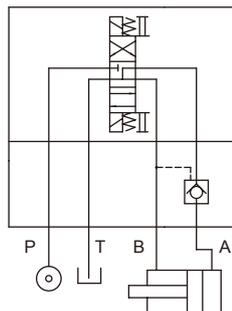
Maximum Flow Rate		100 l/Min (26.5 GPM)
Maximum working pressure		320 Bar (4570 PSI)
Spring cracking pressure		1: 2 Bar (29 PSI) 2: 5 Bar (71 PSI)
Area ratio	Pilot piston	1
	Check valve seat	0.49
	Needle valve seat	0.07
Ambient Temperature Range		-20°C ~ +50°C
Hydraulic Fluid Temperature Range		-20°C ~ +70°C
Viscosity Range		15~400 mm ² /S
Hydraulic Oil		ISO VG32, 46, 68
Fluid Cleanliness		25 μm
Mounting Pattern		ISO 4401-AC-05-4-A
Weight	W Type	3.6 kg
	A Type	3.6 kg
	B Type	3.6 kg

HYDRAULIC CONFIGURATION:

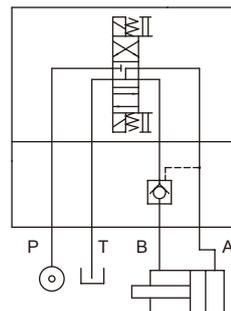
■ MPD-03-W-*-10



■ MPD-03-A-*-10



■ MPD-03-B-*-10



PILOT OPERATED CHECK VALVE WITH DECOMPRESSION

SANDWICH PLATE DESIGN MPD03 SIZE 10

ORDERING CODE :

M PD - 03 - W - 1 - 10 - **
1 **2** **3** **4** **5** **6** **7**

1 SANDWICH PLATE DESIGN

2 PILOT OPERATED CHECK VALVE WITH DECOMPRESSION

3 NOMINAL VALVE SIZE:

NG 10, CETOP 5 and ISO 4401-05 (NFPA-D05/DIN 24340)

4 CONFIGURATION

W: double; acting on ports A & B

A: single; acting on port A

B: single; acting on port B

5 SPRING CRACKING PRESSURE

1: 2 Bar

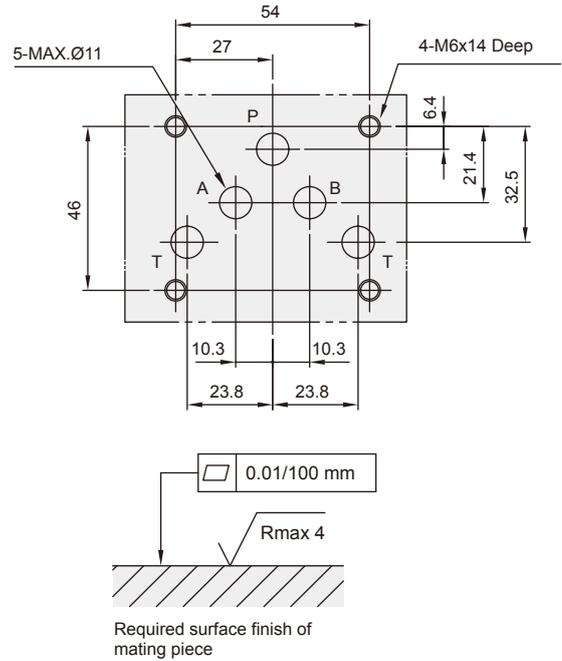
2: 5 Bar

6 DESIGN NUMBER

7 OPTIONAL INQUIRY

INSTALLATION DIMENSIONS:

(Machined valve mounting face with position of ports)

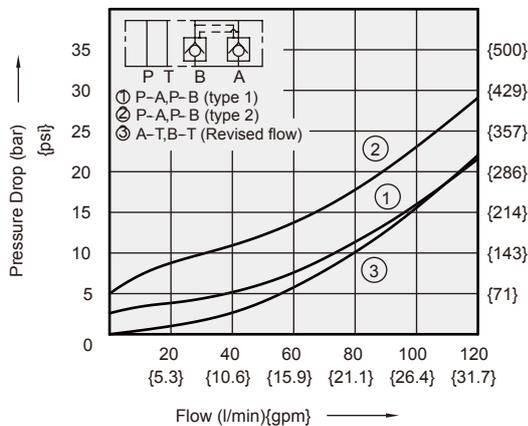


PERFORMANCE CURVES:

Viscosity of Hydraulic Fluid: 32 mm²/s

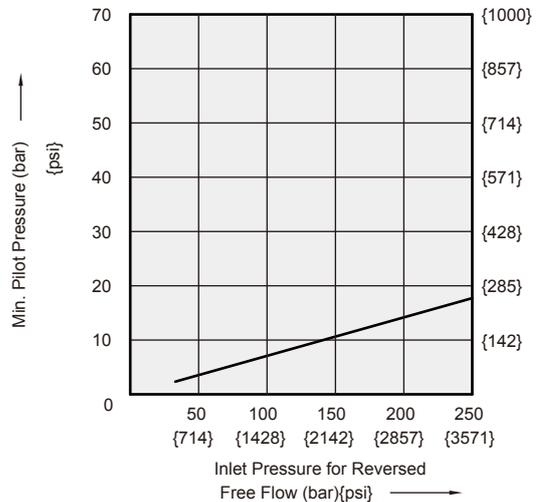
Pressure Drop Characteristic

■ MPD-03-W-*-10



Min. Pilot Pressure Characteristic

■ MPD-03-W-*-10

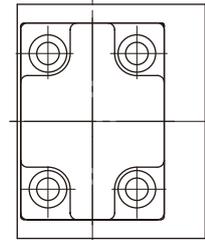
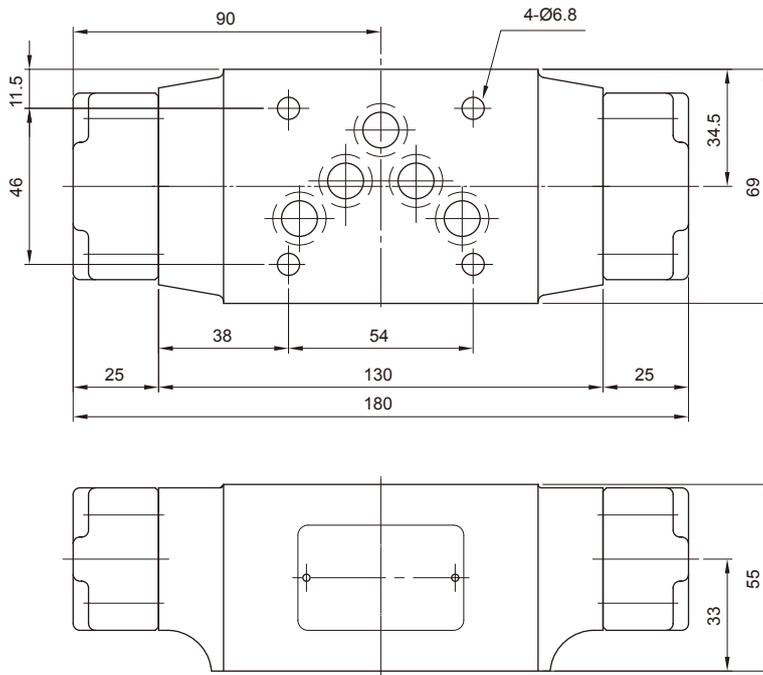
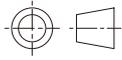


PILOT OPERATED CHECK VALVE WITH DECOMPRESSION SANDWICH PLATE DESIGN MPD03 SIZE 10

DIMENSIONS :

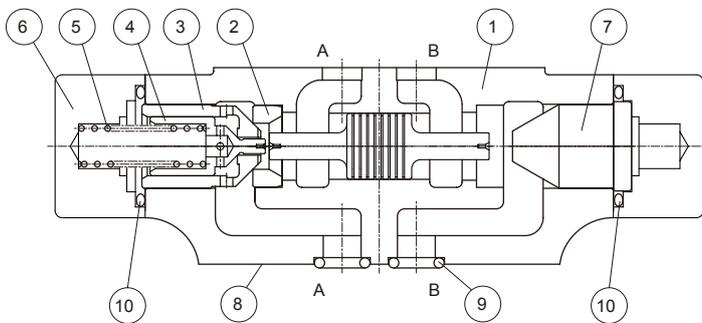
- MPD-03-W-*-10
- MPD-03-A-*-10
- MPD-03-B-*-10

3rd angle projection



CROSS SECTION DRAWING :

- MPD-03-A-*-10



- | | |
|-------------|----------------------------------------------------------------------------------------------------------|
| 1. Body | 8. Connections to DIN 24340 from A10; valve fixing screws M6x90 DIN 912-10.9, tightening torque 12~15 Nm |
| 2. Seat | 9. O-ring AS586-014(Hs90) for ports A,B,P and T |
| 3. Poppet 1 | 10. O-ring 1B-P28 |
| 4. Poppet 2 | |
| 5. Spring | |
| 6. Cover | |
| 7. Bushing | |