

# PILOT OPERATED CHECK VALVE WITH DECOMPRESSION SANDWICH PLATE DESIGN MPD04 SIZE 16

## FEATURES :

- Highest performance in NG 16
- Sandwich plate design
- Pilot operated check valve with decompression
- For leak free sealing of one or two actuator ports
- Connections to DIN, ISO and CETOP



## SPECIFICATION :

Model: MPD-04-W-1-10

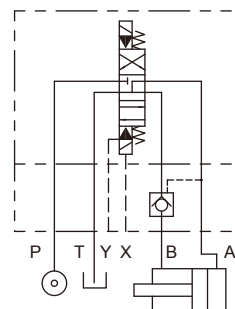
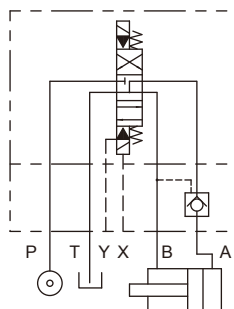
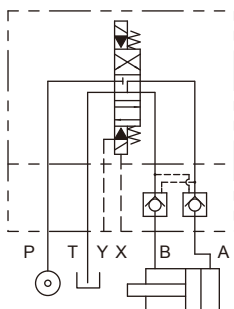
Maximum Flow Rate		300 l/Min (79.3 GPM)
Maximum working pressure		320 Bar (4570 PSI)
Spring cracking pressure		1: 2 Bar (29 PSI)
		2: 5 Bar (71 PSI)
Area ratio	Pilot piston	1
	Check valve seat	0.5
	Needle valve seat	0.07
Ambient Temperature Range		-20°C ~ +50°C
Hydraulic Fluid Temperature Range		-20°C ~ +70°C
Viscosity Range		15~400 mm <sup>2</sup> /S
Hydraulic Oil		ISO VG32, 46, 68
Fluid Cleanliness		25 μm
Mounting Pattern		ISO 4401-AD-07-4-A
Weight	W Type	7.0 kg
	A Type	7.0 kg
	B Type	7.0 kg

## HYDRAULIC CONFIGURATION:

■ MPD-04-W-\*-10

■ MPD-04-A-\*-10

■ MPD-04-B-\*-100



## PILOT OPERATED CHECK VALVE WITH DECOMPRESSION SANDWICH PLATE DESIGN MPDO4 SIZE 16

ORDERING CODE :

M PD - 04 - W - 1 - 10 - \*\*  
 1 2 3 4 5 6 7

**1 SANDWICH PLATE DESIGN**

**2 PILOT OPERATED CHECK VALVE WITH DECOMPRESSION**

**3 NOMINAL VALVE SIZE:**

NG 16, CETOP7 and ISO 4401-07 (NFPA-D07/DIN 24340)

**4 CONFIGURATION**

W: double; acting on ports A & B  
 A: single; acting on port A  
 B: single; acting on port B

**5 SPRING CRACKING PRESSURE**

1: 2 Bar  
 2: 5 Bar

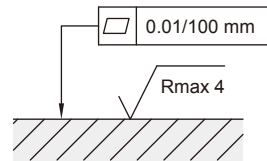
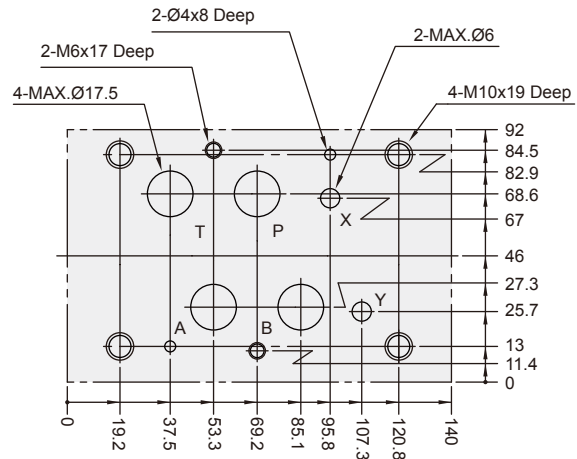
**6 DESIGN NUMBER**

**7 OPTIONAL INQUIRY**

**INSTALLATION DIMENSIONS:**

(Machined valve mounting face with position of ports)

Mounting Surface: ISO 4401-AD-07-4-A



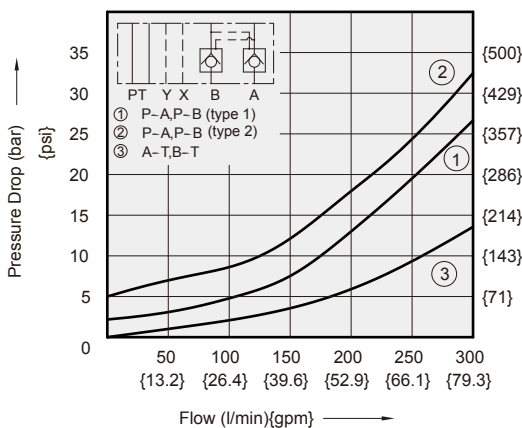
Required surface finish of mating piece when fitting the valve without subplate

**PERFORMANCE CURVES:**

Viscosity of Hydraulic Fluid: 32 mm<sup>2</sup>/s

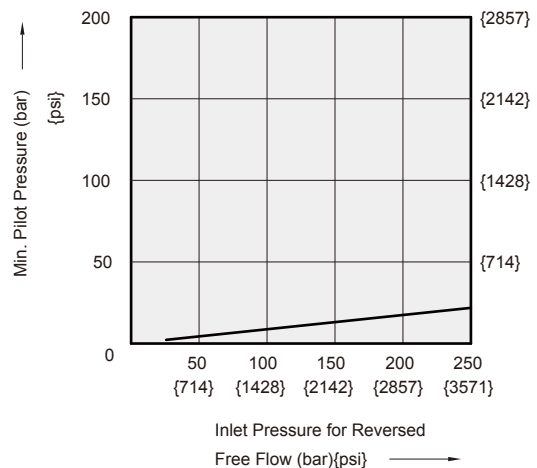
**Pressure Drop Characteristic**

■ MPD-04-W-\* -10



**Min. Pilot Pressure Characteristic**

■ MPD-04-W-\* -10

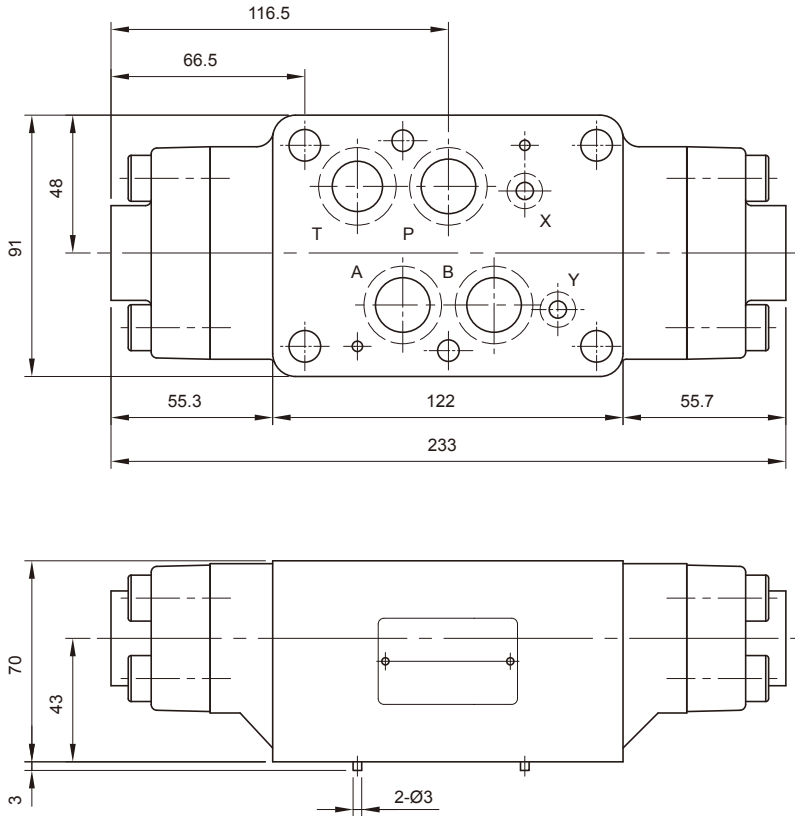


# PILOT OPERATED CHECK VALVE WITH DECOMPRESSION SANDWICH PLATE DESIGN MPD04 SIZE 16

## DIMENSIONS :

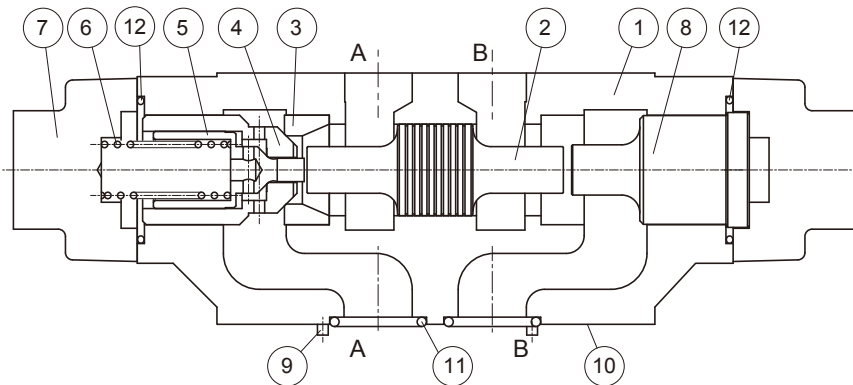
- MPD-04-W-\*-10
- MPD-04-A-\*-10
- MPD-04-B-\*-10

3rd angle projection 



## CROSS SECTION DRAWING :

- MPD-04-A-\*-10

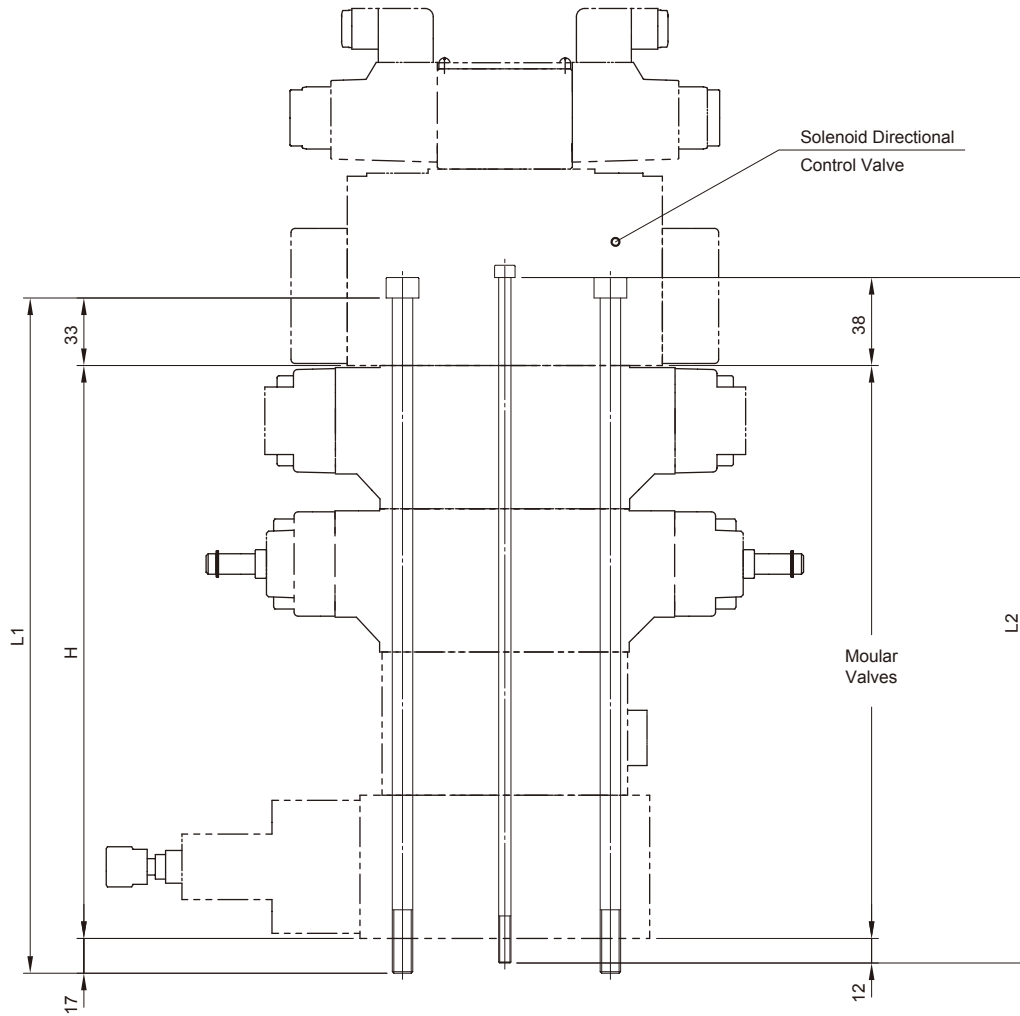


1. Body
2. Spool
3. Seat
4. Poppet-1
5. Poppet-2
6. Spring
7. Cover
8. Bushing
9. 2 locating pins
10. Connections to DIN 24340 from A16;  
6 through holes for fixing screws
11. O-ring:  
Ports A,B,P,T: AS568-118(NBR,Hs90);  
Ports X,Y: AS568-013(NBR,Hs90)
12. O-ring 1B-AS127

# LIST OF INSTALLATION BOLTS

## SANDWICH PLATE DESIGN 04 SIZE 16

HEXAGON SOCKET HEAD BOLT:



Numbers of the moular valves	H	L1	L2	Bolt length	
				Metric	Inch
1	70	120	125	M10x120L (4 pcs)	3/8"~16UNCx4-5/8"Lx4 pcs.
				M6x125L (2 pcs)	1/4"~20UNCx4-7/8"Lx2 pcs.
2	140	190	195	M10x190L (4 pcs)	3/8"~16UNCx7-3/8"Lx4 pcs.
				M6x195L (2 pcs)	1/4"~20UNCx7-5/8"Lx2 pcs.
3	210	260	265	M10x260L (4 pcs)	3/8"~16UNCx10-1/8"Lx4 pcs.
				M6x265L (2 pcs)	1/4"~20UNCx10-1/2"Lx2 pcs.
4	280	330	335	M10x330L (4 pcs)	3/8"~16UNCx13"Lx4 pcs.
				M6x335L (2 pcs)	1/4"~20UNCx13-1/4"Lx2 pcs.