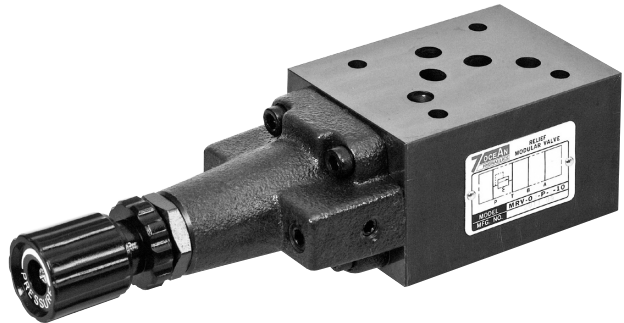


PRESSURE RELIEF VALVE

SANDWICH PLATE DESIGN MRV03 SIZE 10

FEATURES :

- Highest performance in NG 10
- Double stage pressure relief valves with balance poppet
- Sandwich plate design
- 4 pressure ranges
- 4 optional effective directions of flow
- With one or two pressure relief cartridges
- Connections to DIN, ISO and CETOP



Model: MRV-03-P-2-10

SPECIFICATION :

Maximum Flow Rate		80 l/Min (21.2 GPM)
Maximum working pressure		320 Bar (4570 PSI)
Pressure Adjusting Range		0: 7~35 Bar
		1: 7~70 Bar
		2: 7~140 Bar
		3: 7~210 Bar
Ambient Temperature Range		-20°C~+50°C
Hydraulic Fluid Temperature Range		-20°C~+70°C
Viscosity Range		15~400 mm ² /s
Hydraulic Oil		ISO VG32, 46, 68
Fluid Cleanliness		25 μm
Mounting Pattern		ISO 4401-AC-05-4-A
Weight	P Type	3.1 kg
	W Type	3.9 kg
	A Type	3.1 kg
	B Type	3.1 kg

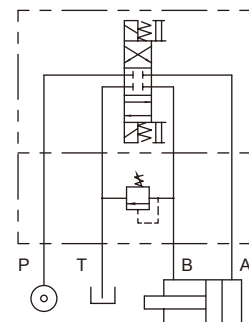
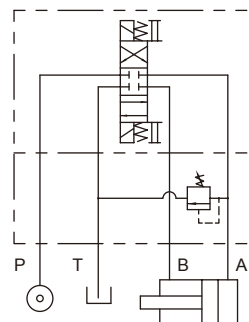
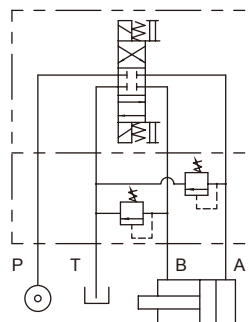
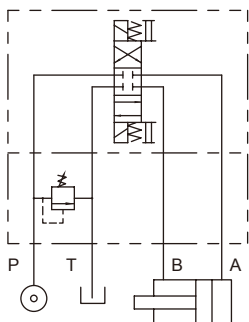
HYDRAULIC CONFIGURATION:

■ MRV-03-P-*-10

■ MRV-03-W-*-10

■ MRV-03-A-*-10

■ MRV-03-B-*-10



PRESSURE RELIEF VALVE

SANDWICH PLATE DESIGN MRV03 SIZE 10

ORDERING CODE :

M RV - 03 - P - 1 - 10 - **
 1 2 3 4 5 6 7

1 SANDWICH PLATE DESIGN

2 PRESSURE RELIEF VALVE

3 NOMINAL VALVE SIZE:

NG 10, CETOP 5 and ISO 4401-05 (NFPA-D05/DIN 24340)

4 CONFIGURATION

P: single; acting on port P, discharge to port T

W: double; acting on ports A and B, discharge to port T

A: single; acting on port A, discharge to port T

B: single; acting on port B, discharge to port T

5 SPRING CRACKING PRESSURE

0: 7~35 Bar

1: 7~70 Bar

2: 7~140 Bar

3: 7~210 Bar

6 DESIGN NUMBER

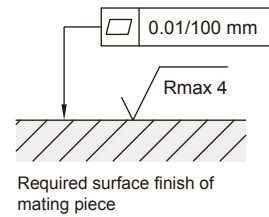
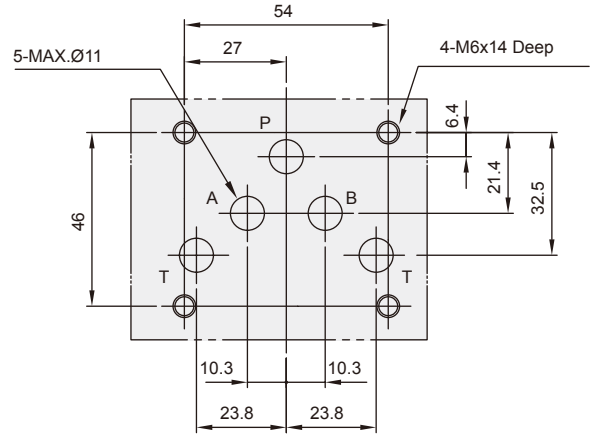
10: with handle

20: without handle

7 OPTIONAL INQUIRY

INSTALLATION DIMENSIONS:

(Machined valve mounting face with position of ports)

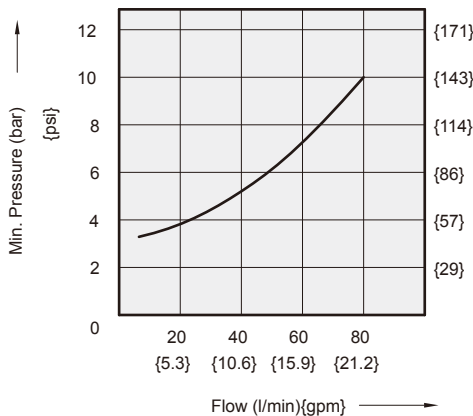


PERFORMANCE CURVES:

Viscosity of Hydraulic Fluid: 32 mm²/s

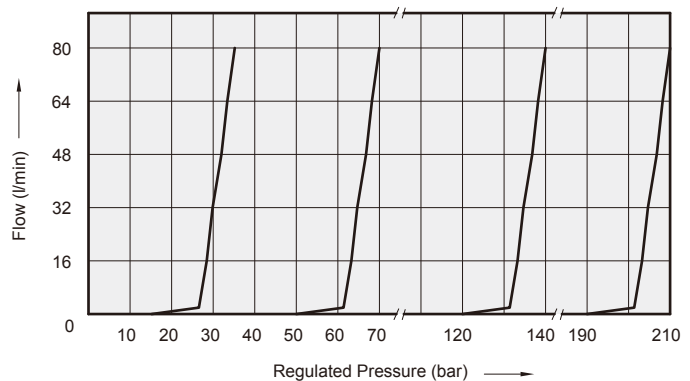
Minimum Pressure Versus flow Diagram

■ MRV-03-*-1-10



Regulated Pressure Versus flow Diagram

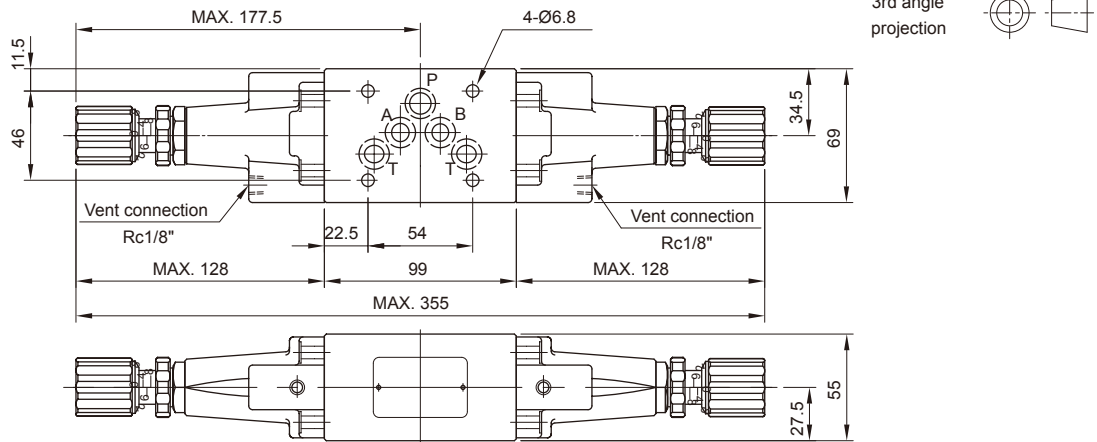
■ MRV-03-*-1-10



PRESSURE RELIEF VALVE SANDWICH PLATE DESIGN MRV03 SIZE 10

DIMENSIONS :

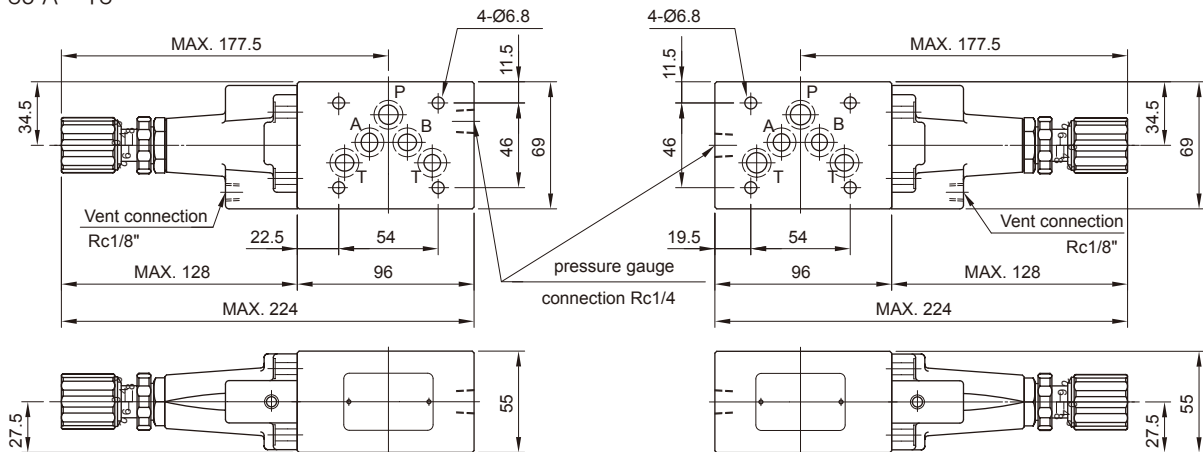
■ MRV-03-W-*-10



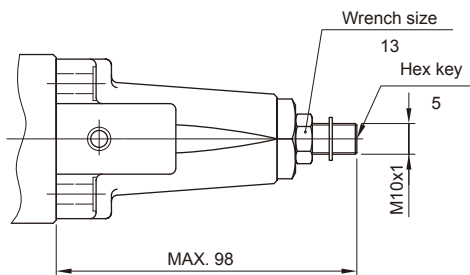
■ MRV-03-P-*-10

MRV-03-A-*-10

■ MRV-03-B-*-10

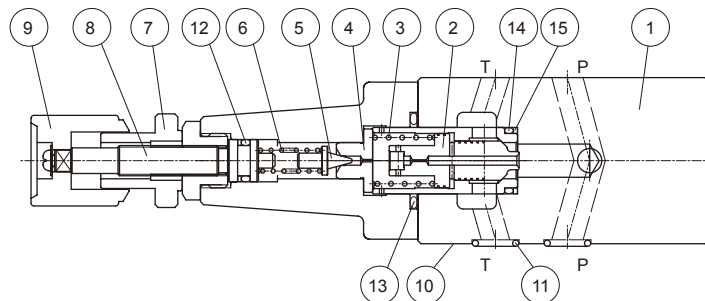


■ MRV-03-*-*-20



CROSS SECTION DRAWING :

■ MRV-03-P-*-10



1. Body.
2. Balanced poppet.
3. Balanced poppet spring
4. Seat
5. Pilot valve poppet.
6. Adjustment spring
7. Locking nut
8. Setting screw.
9. Adjustment element
10. Connections to DIN 24340 from A10; valve fixing screws M6x90 DIN 912-10.9, tightening torque 12~15 Nm
11. O-ring AS586-014(Hs90) for ports A,B,P and T
12. O-ring 1A-P10A
13. O-ring 1B-AS119
14. O-ring 1A-P18
15. O-ring BU-P18