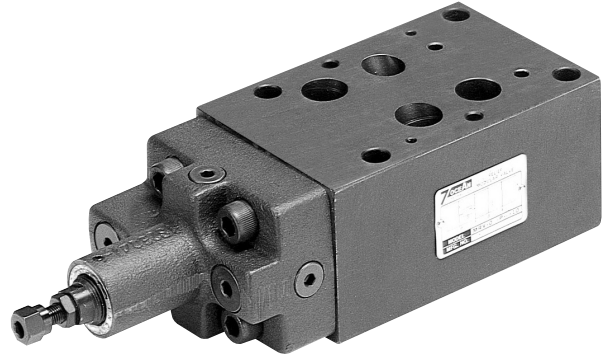


# PRESSURE RELIEF VALVE

## SANDWICH PLATE DESIGN MRV04 SIZE 16

### FEATURES :

- Highest performance in NG 16
- Double stage pressure relief valves with balance poppet
- Sandwich plate design
- 3 pressure ranges
- Connections to DIN, ISO and CETOP



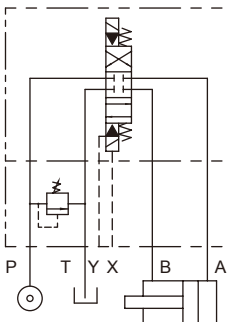
Model: MRV-04-P-1-10

### SPECIFICATION :

Maximum Flow Rate	300 l/Min (79.3 GPM)
Maximum working pressure	320 Bar (4570 PSI)
Spring cracking pressure	1: 7~70 Bar
	2: 7~140 Bar
	3: 7~210 Bar
Ambient Temperature Range	-20°C~+50°C
Hydraulic Fluid Temperature Range	-20°C~+70°C
Viscosity Range	15~400 mm <sup>2</sup> /S
Hydraulic Oil	ISO VG32, 46, 68
Fluid Cleanliness	25 μm
Mounting Pattern	ISO 4401-AD-07-4-A
Weight (Kg)	7.4 Kg

### HYDRAULIC CONFIGURATION:

- MRV-04-P-\*-20



## PRESSURE RELIEF VALVE SANDWICH PLATE DESIGN MRV04 SIZE 16

ORDERING CODE :

M RV - 04 - P - 1 - 20 - \*\*  
 1 2 3 4 5 6 7

### 1 SANDWICH PLATE DESIGN

### 2 PRESSURE RELIEF VALVE

### 3 NOMINAL VALVE SIZE:

NG 16, CETOP7 and ISO 4401-07 (NFPA-D07/DIN 24340)

### 4 CONFIGURATION

P: single; acting on port P, discharge to port T

### 5 SPRING CRACKING PRESSURE

- 1: 7~70 Bar
- 2: 7~140 Bar
- 3: 7~210 Bar

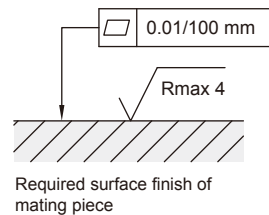
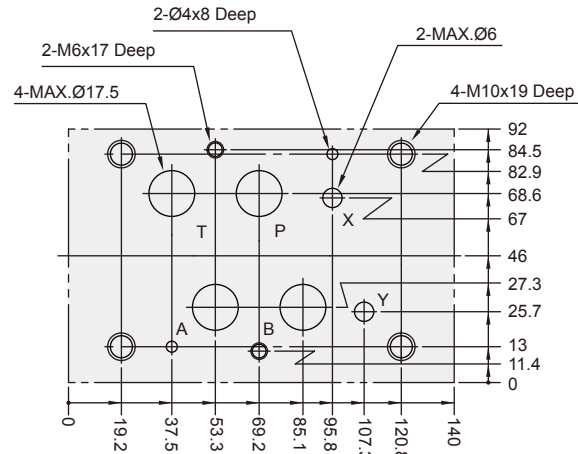
### 6 DESIGN NUMBER

- 10: with handle
- 20: without handle

### 7 OPTIONAL INQUIRY

### INSTALLATION DIMENSIONS:

(Machined valve mounting face with position of ports)  
 Mounting Surface: ISO 4401-AD-07-4-A

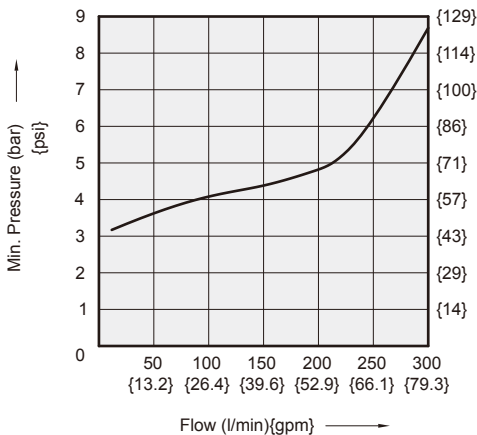


### PERFORMANCE CURVES:

Viscosity of Hydraulic Fluid: 32 mm<sup>2</sup>/s

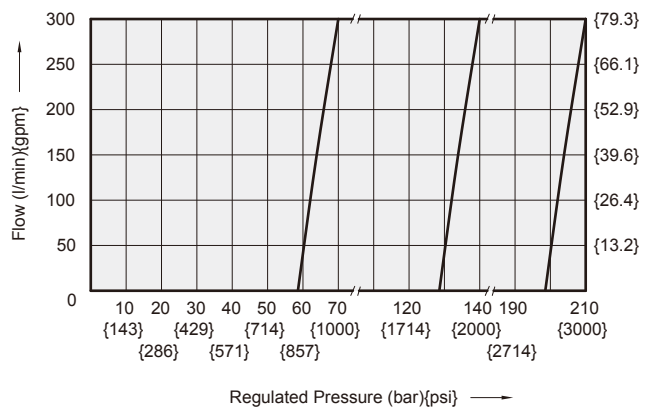
Minimum Pressure V.S. Flow Diagram

■ MRV-04-P-1-20



Regulated Pressure V.S. Flow Diagram

■ MRV-04-\* -20



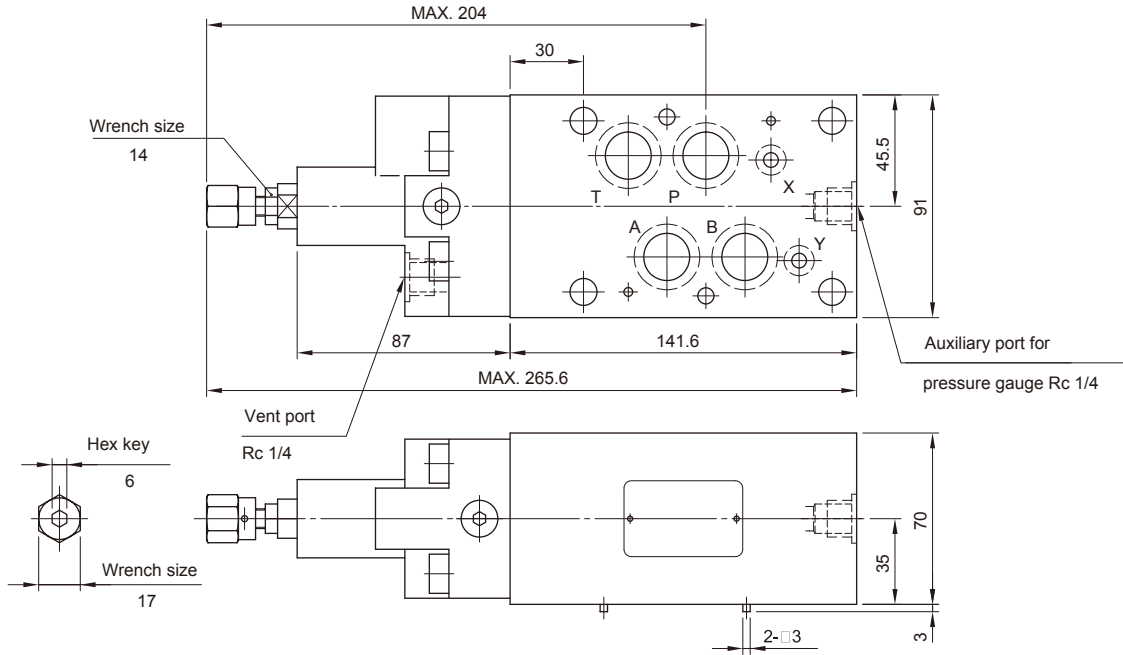
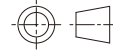
# PRESSURE RELIEF VALVE

## SANDWICH PLATE DESIGN MRV04 SIZE 16

DIMENSIONS :

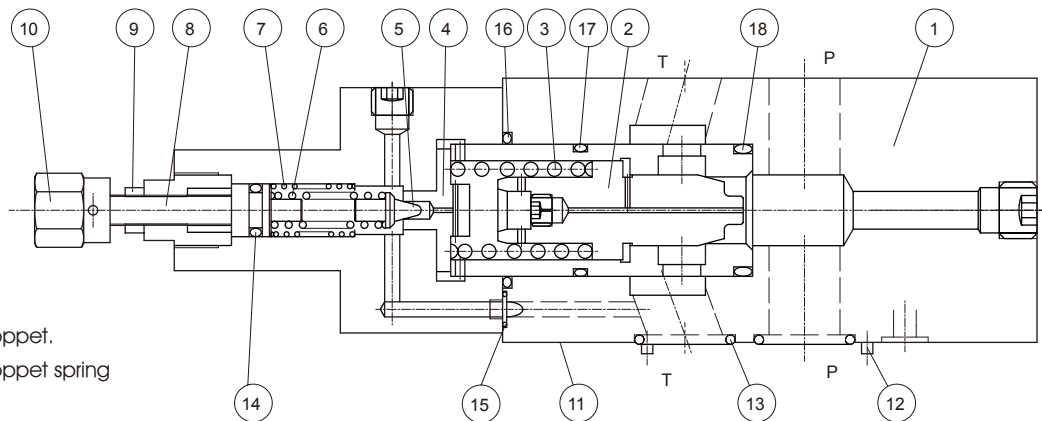
■ MRV-04-P-\*-20

3rd angle projection



### CROSS SECTION DRAWING :

■ MRV-04-P-\*-20



- 1.Body.
- 2.Balanced poppet.
- 3.Balanced poppet spring
- 4.Seat
- 5.Pilot valve poppet.
- 6.Adjustment spring 1
- 7.Adjustment spring 2
- 8.Setting screw.
- 9.Locking nut.
- 10.Adjustment element

- 11.Connections to DIN 24340 from A16;  
6 through holes for fixing screws
- 12.2 locating pins
- 13.O-ring;  
Ports A,B,P,T: AS568-118(NBR,Hs90);  
Ports X,Y: AS568-012(NBR,Hs90)

- 14.O-ring 1A-P11
- 15.O-ring 1B-P6
- 16.O-ring 1B-AS127
- 17.O-ring 1B-AS122
- 18.O-ring 1B-P28