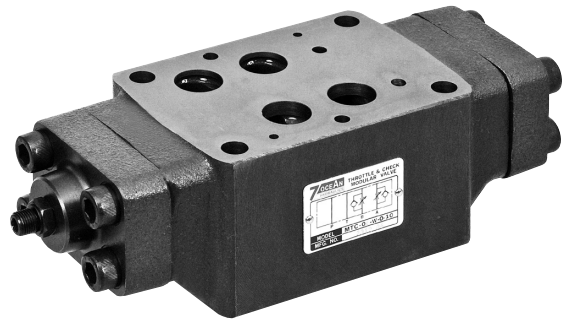


FLOW REGULATOR WITH CHECK VALVE

SANDWICH PLATE DESIGN MTC04 SIZE 16

FEATURES :

- Highest performance in NG 16
- Sandwich plate design
- For limiting the main or pilot fluid flow of 2 actuator
- Connections
- For meter-in or meter-out control
- Connections to DIN, ISO and CETOP



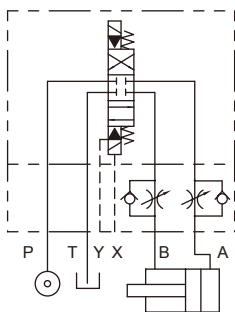
Model: MTC-04-W-O-10

SPECIFICATION :

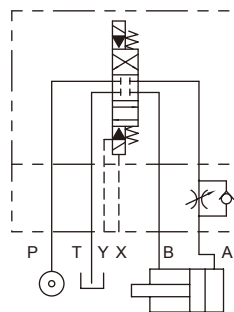
Maximum Flow Rate		300 l/Min (79.3 GPM)
Maximum working pressure		320 Bar (4570 PSI)
Check valve cracking pressure		1.0 Bar (14.3 PSI)
Ambient Temperature Range		-20°C ~ +50°C
Hydraulic Fluid Temperature Range		-20°C ~ +70°C
Viscosity Range		15~400 mm ² /s
Hydraulic Oil		ISO VG32, 46, 68
Fluid Cleanliness		25 μm
Mounting Pattern		ISO 4401-AD-07-4-A
Weight	W Type	6.9 Kg
	A Type	6.7 Kg
	B Type	6.7 Kg

HYDRAULIC CONFIGURATION:

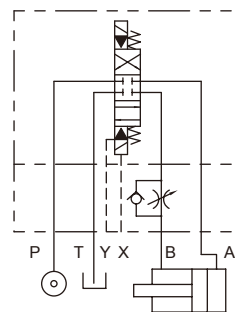
■ MTC-04-W-O-20



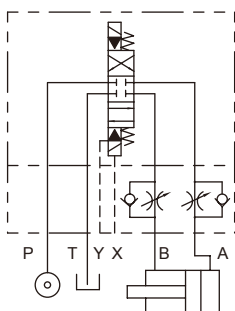
■ MCT-04-A-O-20



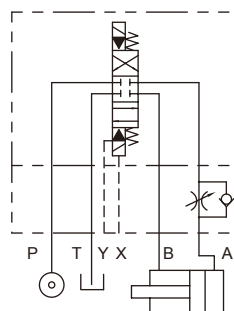
■ MTC-04-B-O-20



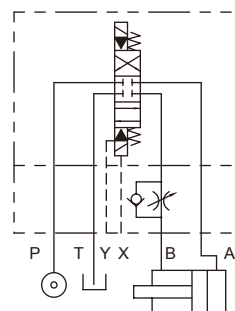
■ MTC-04-W-I-20



■ MCT-04-A-I-20



■ MTC-04-B-I-20



FLOW REGULATOR WITH CHECK VALVE

SANDWICH PLATE DESIGN MTC04 SIZE 16

ORDERING CODE :

M TC - 04 - W - 0 - 20 - **
1 2 3 4 5 6 7

- 1 SANDWICH PLATE DESIGN**
- 2 FLOW REGULATOR WITH CHECK VALVE**
- 3 NOMINAL VALVE SIZE:**

NG 16, CETOP7 and ISO 4401-07 (NFPA-D07/DIN 24340)

4 CONFIGURATION

W: double; acting on ports A & B
 A: single; acting on port A
 B: single; acting on port B

5 CONTROL WAY

O: Meter out, control of flow discharged from the actuator
 I: Meter in, control of flow entering the actuator

6 DESIGN NUMBER

10: with handle
 20: without handle

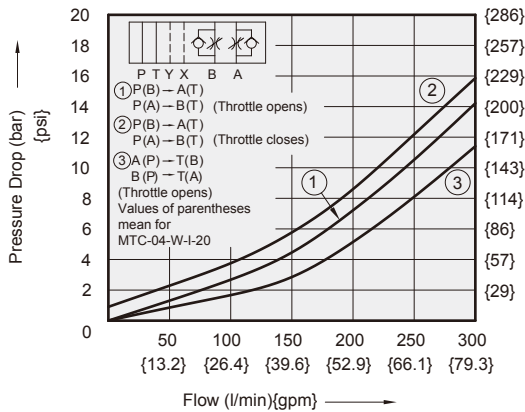
7 OPTIONAL INQUIRY

PERFORMANCE CURVES:

Viscosity of Hydraulic Fluid: 32 mm²/s

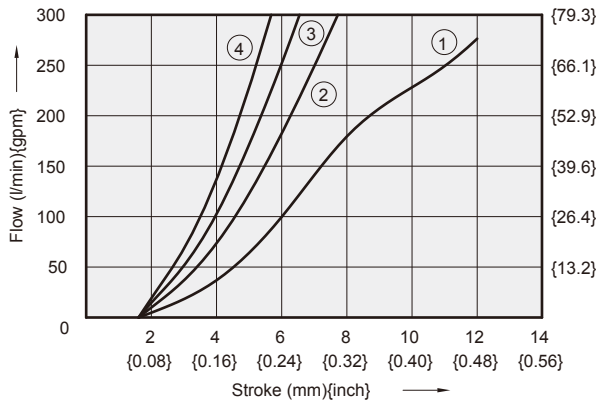
Pressure Drop Characteristic

■ MTC-04-W-O/I-20



Regulated Pressure V.S. Flow Diagram

■ MTC-04-W-O/I-20
 ■ MTC-04-A-O/I-20
 ■ MTC-04-B-O/I-20



- ① Pressure Difference = 10 bar {143psi}
- ② Pressure Difference = 15 bar {214psi}
- ③ Pressure Difference = 50 bar {714psi}
- ④ Pressure Difference = 140 bar {2000psi}

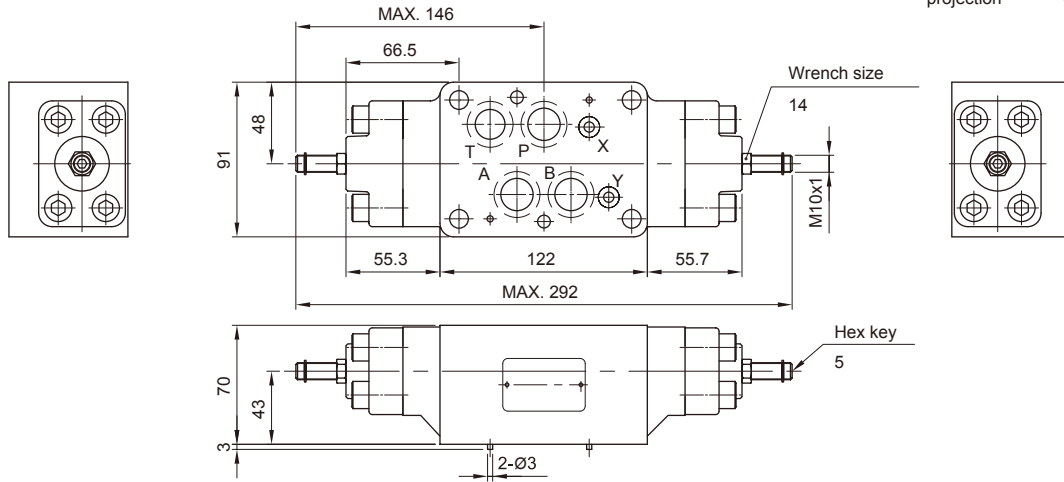
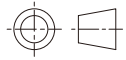
FLOW REGULATOR WITH CHECK VALVE

SANDWICH PLATE DESIGN MTC04 SIZE 16

DIMENSIONS :

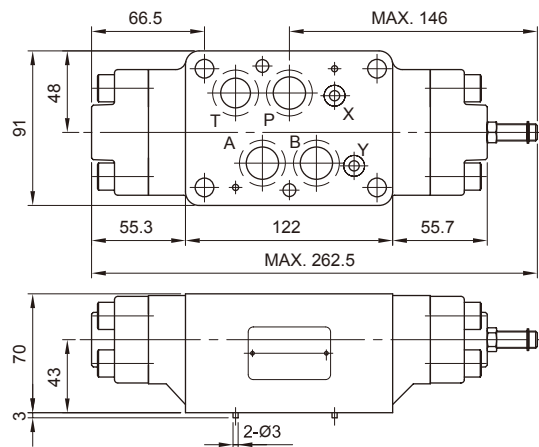
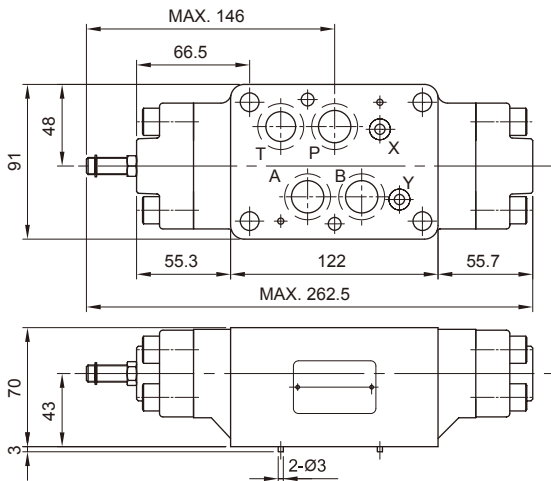
■ MTC-04-W-O-20

3rd angle projection



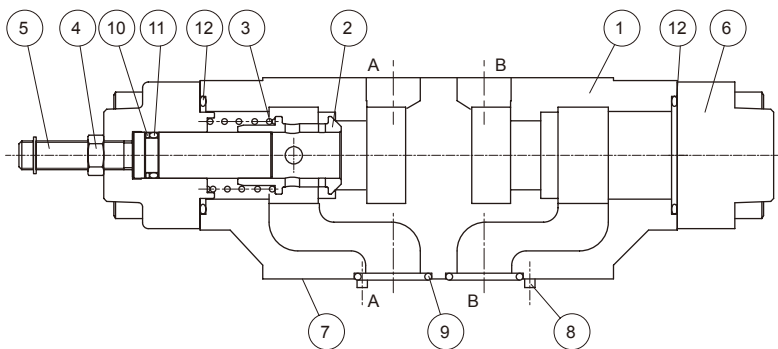
■ MTC-04-A-O-20

■ MTC-04-B-O-20



CROSS SECTION DRAWING :

■ MTC-04-A-O-20



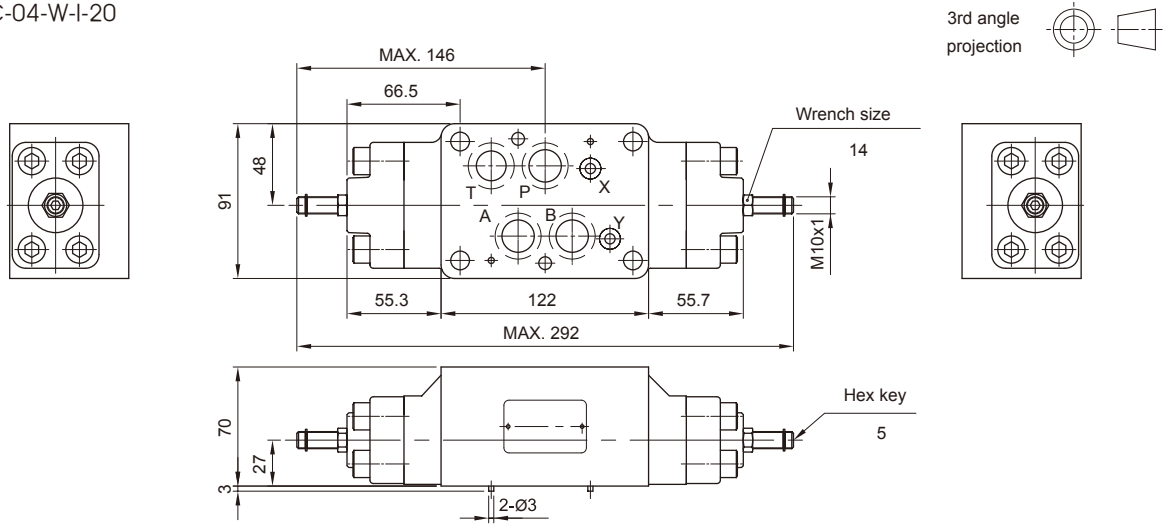
1. Body
2. Throttle
3. Spring
4. Locking nut
5. Setting screw
6. Cover
7. Connections to DIN 24340 from A16;
6 through holes for fixing screws
8. 2 Locating Pins
9. O-ring:
Ports A,B,P,T: AS568-118(NBR,Hs90);
Ports X,Y: AS568-013(NBR,Hs90)
10. O-ring BU-P12
11. O-ring 1A-P12
12. O-ring 1B-AS127

FLOW REGULATOR WITH CHECK VALVE

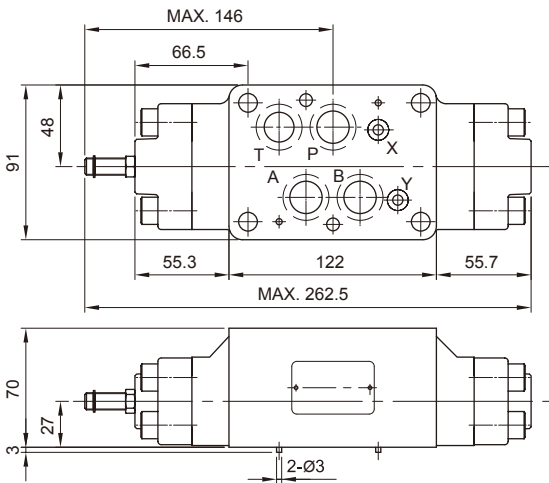
SANDWICH PLATE DESIGN MTC04 SIZE 16

DIMENSIONS :

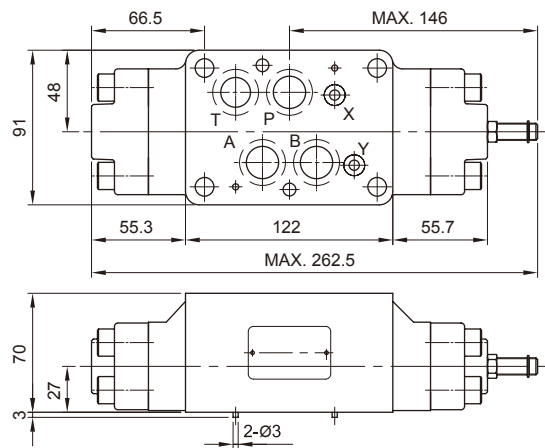
■ MTC-04-W-I-20



■ MTC-04-A-I-20

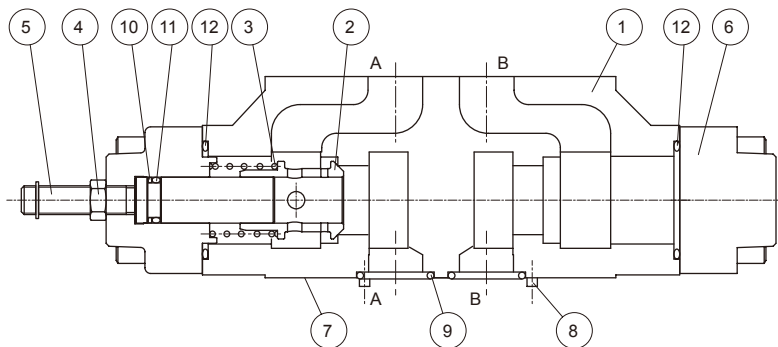


■ MTC-04-B-I-20



CROSS SECTION DRAWING :

■ MTC-04-A-I-20



1. Body
2. Throttle
3. Spring
4. Locking nut
5. Setting screw
6. Cover
7. Connections to DIN 24340 from A16;
6 through holes for fixing screws
8. 2 Locating Pins
9. O-ring:
Ports A,B,P,T: AS568-118(NBR,Hs90);
Ports X,Y: AS568-013(NBR,Hs90)
10. O-ring BU-P12
11. O-ring 1A-P12
12. O-ring 1B-AS127