

PREFILL VALVE

FEATURES :

- Hydraulic pilot operated check valve of sandwich plate design for flange connection and for in-pipe installation.
- With or without pre-decompression.
- Integrated high pressure port.
- Solenoid operated decompression through built-on directional valve.



Model: PFV-63-10

SPECIFICATION :

Model	PFV-50	PFV-63	PFV-100	PFV-125
Max. Flow	400 L/Min	600 L/Min	1500 L/Min	2200 L/Min
Max Operating Pressure	420 Bar			
Area Ratio	2.78 / 1	3.9 / 1	3.4 / 1	3.4 / 1
Cracking Pressure	0.06 Bar			
Ambient Temperature Range	-20°C ~ +50°C			
Hydraulic Fluid Temperature	-20°C ~ +70°C			
Viscosity Range	15~400 mm ² /S			
Hydraulic Oil	ISO VG32, 46, 68			
Weight	2.3 kg	2.9 kg	19 kg	29.5 kg

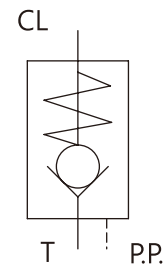
ORDERING CODE :

PFV - 50 - 10

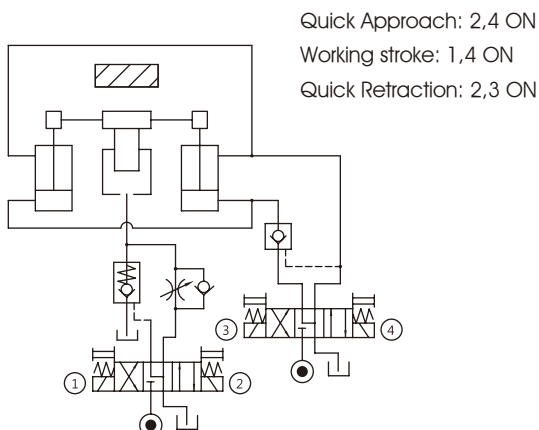
1 2 3

- 1 PREFILL VALVE
- 2 NOMINAL VALVE SIZE
- 3 DESIGN NUMBER

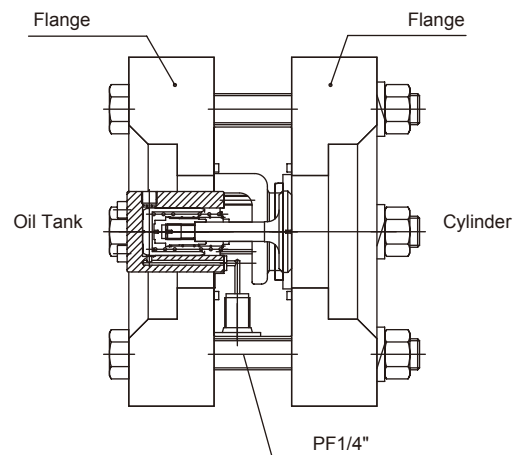
GRAPHIC SYMBOL :



HYDRAULIC CONFIGURATION:



INSTALLATION:

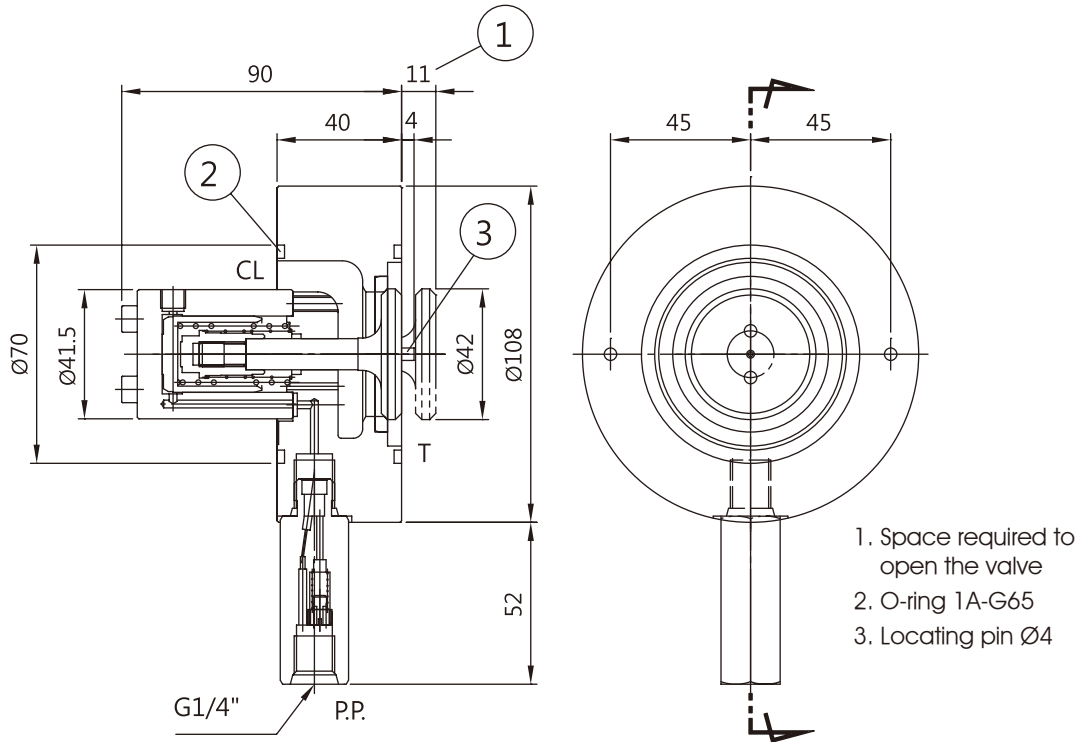
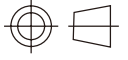


PREFILL VALVE

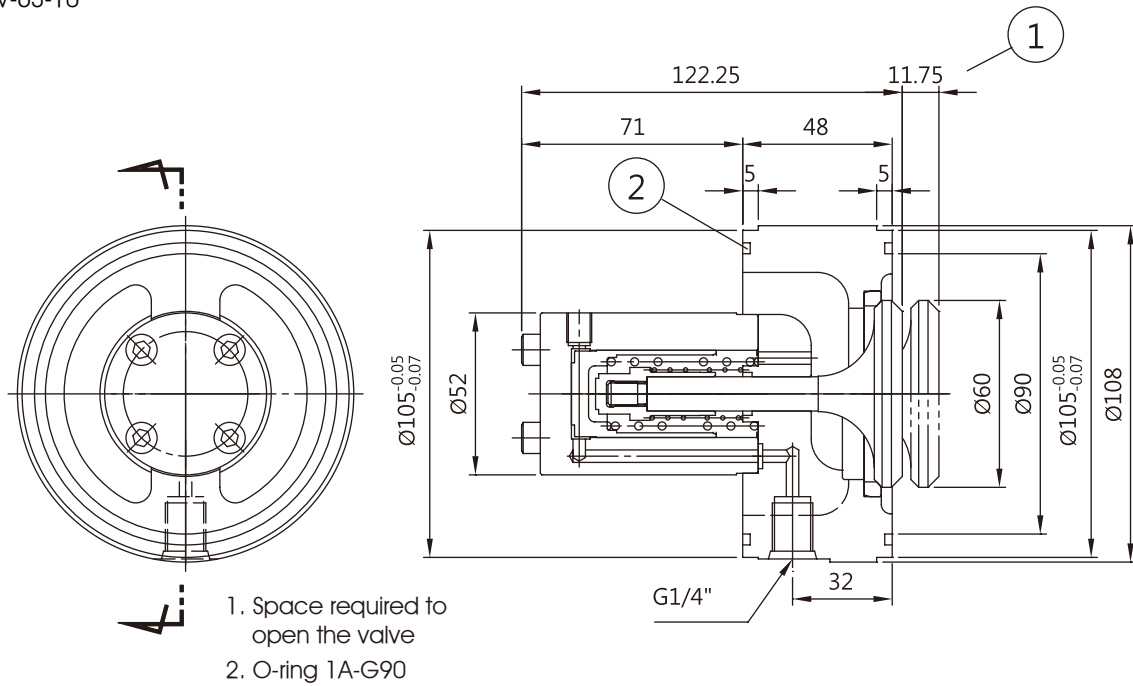
DIMENSIONS :

■ PFV-50-10

3rd angle projection



■ PFV-63-10

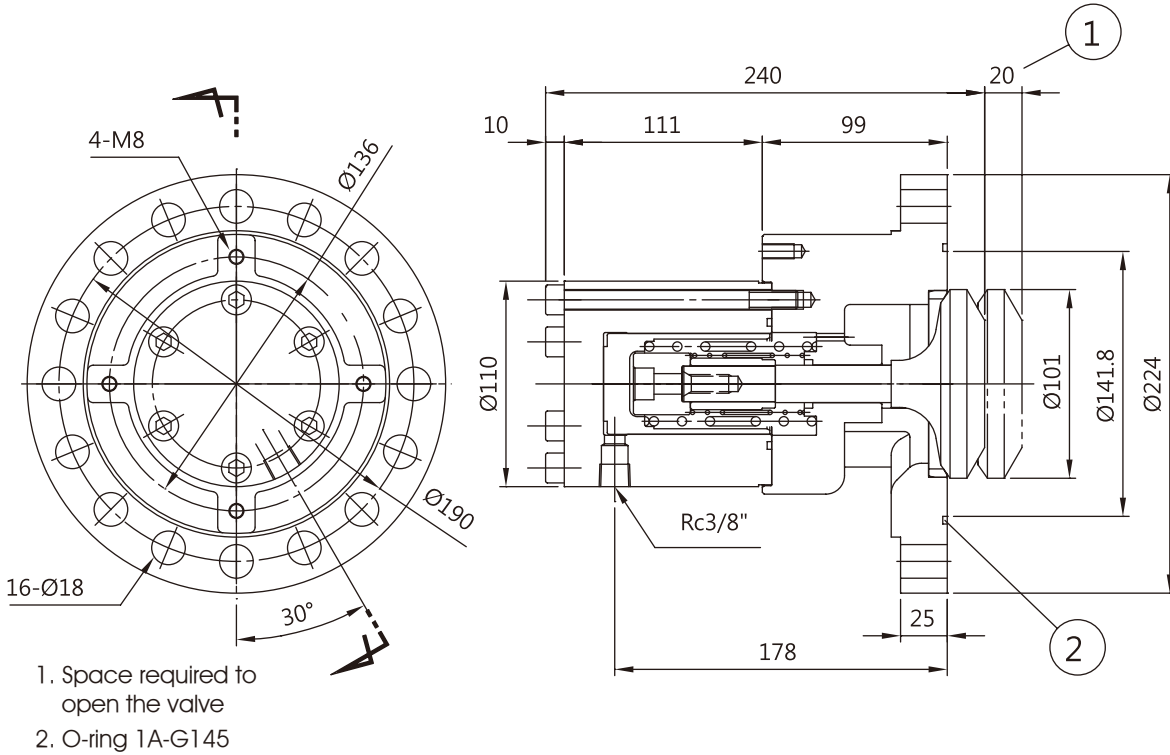
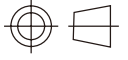


PREFILL VALVE

DIMENSIONS :

■ PFV-100-10

3rd angle projection



■ PFV-125-10

